

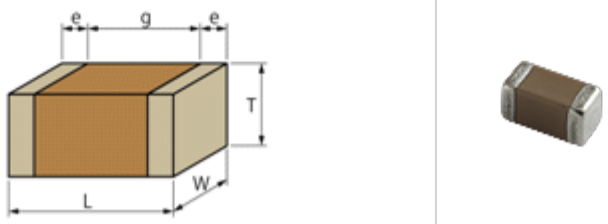
GRM32RF51H105ZA01#

"#" indicates a package specification code.

Available  

< List of part numbers with package codes >
 GRM32RF51H105ZA01L , GRM32RF51H105ZA01K , GRM32RF51H105ZA01B

Shape

	
L size	3.2 ± 0.3mm
W size	2.5 ± 0.2mm
T size	1.8 ± 0.2mm
External terminal width e	0.3mm min.
Distance between external terminals g (Min.)	1.0mm
Size code in mm(inch)	3225 (1210)

References

Packaging	Specifications	Minimum quantity
L	Embossed tape (180mm)	1000
K	Embossed tape (330mm)	4000
B	Packing in bulk	1000

Mass (typ.)	
1 piece	85.0mg
Reel (180mm)	116g

Specifications

Capacitance	1.0μF +80/-20%
Rated voltage	50Vdc
Temperature characteristics (complied standard)	Y5V(EIA)
Capacitance change rate	+22/-82%
Temperature range of temperature characteristics	-30 to 85
Operating temperature range	-30 to 85

Attention

- 1.This datasheet is downloaded from the website of Murata Manufacturing Co., Ltd. Therefore, it ' s specifications are subject to change or our products in it may be discontinued without advance notice. Please check with our sales representatives or product engineers before ordering.
- 2.This datasheet has only typical specifications because there is no space for detailed specifications. Therefore, please review our product specifications or consult the approval sheet for product specifications before ordering.