

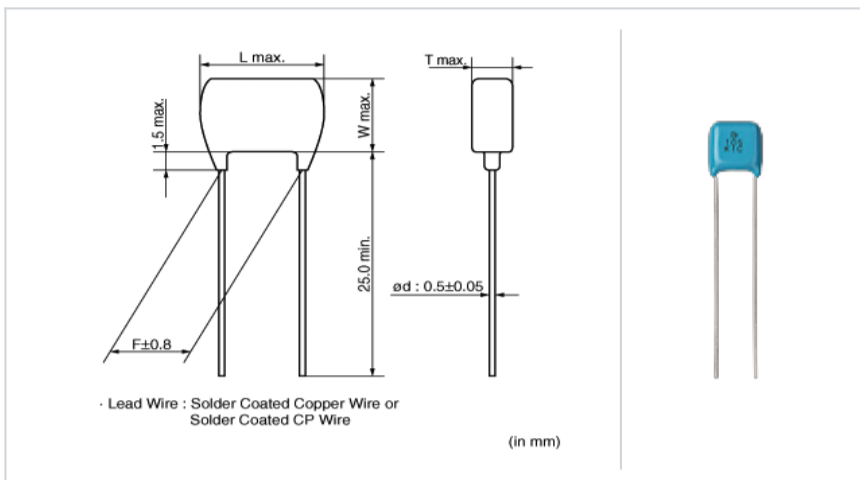
RPER72A105K5B1C03B

" # " indicates a package specification code.

- Available
- Flow OK
- Complies with RoHS
- Anti-noise
- Deflecting crack
- Soldering crack

< List of part numbers with package codes >
RPER72A105K5B1C03B

Shape



L size or outer diameter D (mm)	7.5 mm max.
W size	7.5 mm max.
T size	4.0 mm max.
Lead spacing F	5 ± 0.8mm
Lead diameter d	0.5 ± 0.05mm

References

Packaging	Specifications	Minimum quantity
	Packing in bulk	500

Specifications

Capacitance	1.0μF ± 10%
Rated voltage	100Vdc
Temperature characteristics (complied standard)	X7R(EIA)
Capacitance change rate	± 15%
Temperature range of temperature characteristics	-55 to 125
Operating temperature range	-55 to 125

⚠ Attention

- This datasheet is downloaded from the website of Murata Manufacturing Co., Ltd. Therefore, it's specifications are subject to change or our products in it may be discontinued without advance notice. Please check with our sales representatives or product engineers before ordering.
- This datasheet has only typical specifications because there is no space for detailed specifications. Therefore, please review our product specifications or consult the approval sheet for product specifications before ordering.