

# Mercury Free Silver oxide batteries

## SR626 (376)



### Specifications

Average Service Capacity( to 1.2 volts) ..... 28 mAh  
(Rated capacity at 30k ohms at 23°C)

Terminals ..... Flat contacts

Average weight ..... 0.40 g

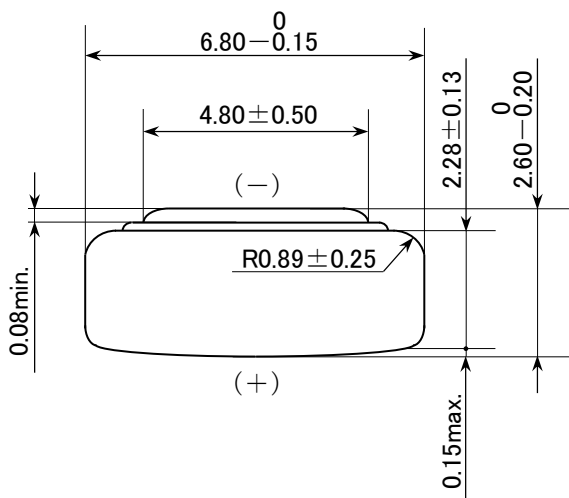
### Characteristics

Minimum OCV ..... 1.55 volts

Minimum -10°C CCV (200 ohms / 5 seconds) ..... 0.90 volts

Minimum Capacity (30k ohms to 1.2 volts) ..... 25.2 mAh

### Dimension



### Discharge curve

