

Mercury Free Silver oxide batteries

SR927 (399)



Specifications

Average Service Capacity(to 1.2 volts) 60 mAh
(Rated capacity at 15k ohms at 23°C)

Terminals Flat contacts

Average weight 0.78 g

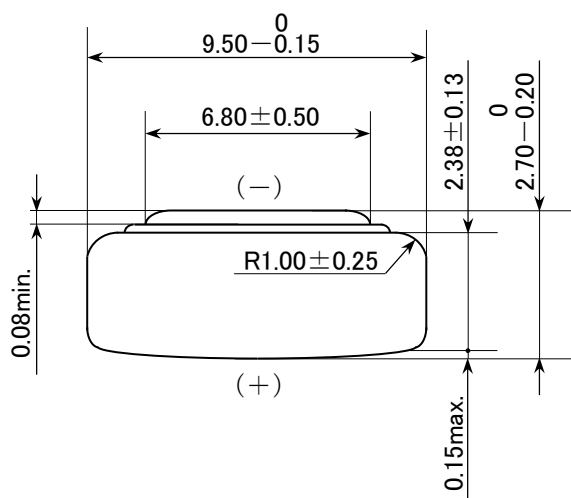
Characteristics

Minimum OCV 1.55 volts

Minimum -10°C CCV (200 ohms / 5 seconds) 1.10 volts

Minimum Capacity (15k ohms to 1.2 volts) 54 mAh

Dimension



Discharge curve

