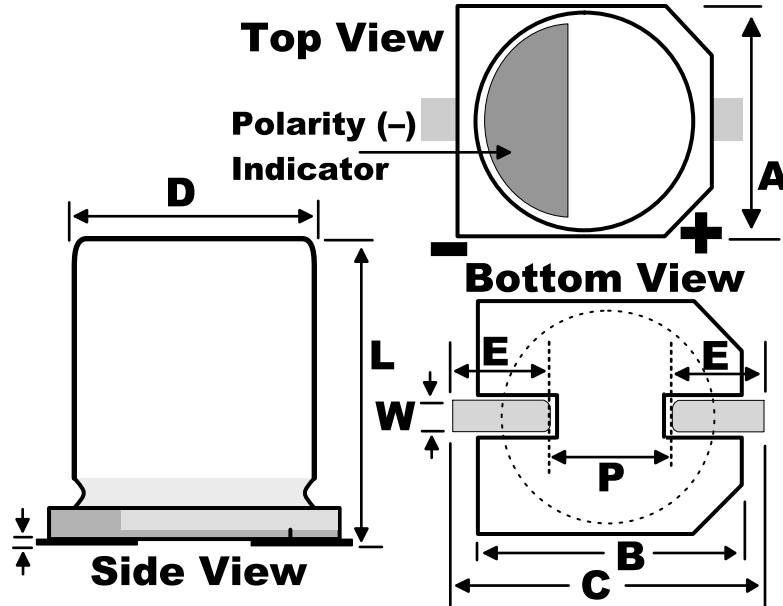


NACE470M25V6.3X6.3TR13F

Surface Mount Aluminum Electrolytic, 47 uF, 20% Tol, 25V@85C, 6.3x6.3 Case



Dimensional Data (mm)

ID	Dimensions	Tolerance
D:	6.3	+/-0.5
L:	6.3	+0
A:	6.6	+/-0.2
B:	6.6	+/-0.2
C:	7.2	+/-0.4
W:	0.65	+0.15/-0.4
E:	2.5	+/-0.2
P:	2.2	+/-0.2
F:	0.3	max

Specifications

RoHS:	Yes
Capacitance:	47 uF
Tolerance:	20%
Voltage DC @ 85C:	25V
Life @ 65C:	8000
Life @ 85C:	2000 h
Package Quantity:	500
Packaging:	T&R, 13 in. (18 mm)
Leakage:	12 uA
Dissipation Factor:	0.14%
Impedance Ratio 25:	2.0
Impedance Ratio 40:	4.0
ESR 120:	4.95 mOhm
Ripple 120 25C:	68 A
Ripple 120 85C:	68 A
Ripple 1K 85C:	74.8 A
Ripple 10K 85C:	81.6 A
Ripple 100K 85C:	88.4 A

