

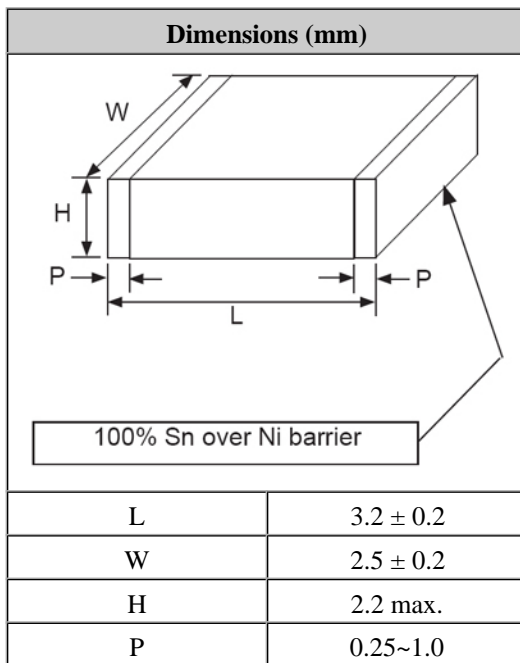


NIC Components Corp.

www.NICcomp.com | Technical Support: tpmg@niccomp.com

Individual Specification - NMC1210Y5V475Z50TRPLPF

Product Specifications	
Part Number	NMC1210Y5V475Z50TRPLPF
Product Series	NMC High Cap
Series Description	High CV Y5V Dielectric MLCC
Dielectric	Y5V
Dielectric Tolerance	+22%, -82%
Temperature Range	-30°C ~ 85°C
Capacitance	4.7µF ± +80/-20%
Voltage	50Vdc
IR	21.28 M?s min.
Dielectric Withstanding Voltage	150% of Rated Voltage for 5 ± 1 sec., 50mA max.



Created 11/06/15 7:22:11 am

Copyright © 2013, NIC Components Corp. All Rights Reserved.

Reproduction in whole, or in part, without the written permission of the copyright holder is prohibited. All information contained within this page is believed to be accurate and reliable, and is presented without guarantee, warranty, or responsibility of any kind, expressed or implied. Please review product specifications and guidelines on NIC web site prior to ordering.

For additional information please contact NIC TPMG, tpmg@niccomp.com