

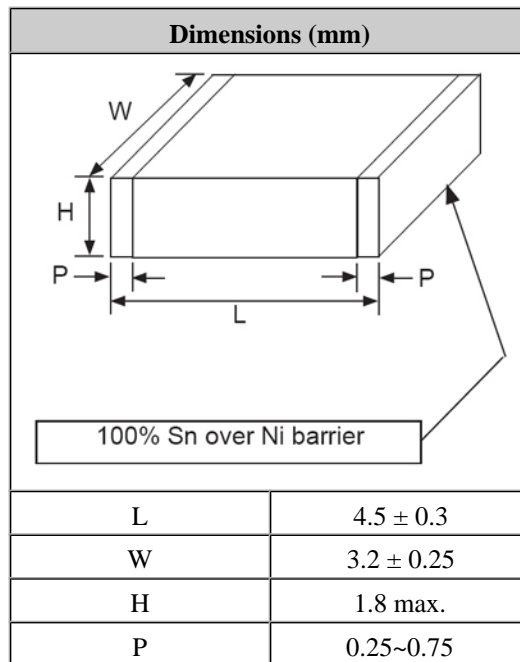


**NIC Components Corp.**

www.NICcomp.com | Technical Support: tpmg@niccomp.com

**Individual Specification - NMC1812X7R104K100TRPLPF**

Product Specifications	
Part Number	NMC1812X7R104K100TRPLPF
Product Series	NMC X7R
Series Description	X7R MLCC
Dielectric	X7R
Dielectric Tolerance	±15%
Temperature Range	-55°C ~ 125°C
Capacitance	0.1µF ± 10%
Voltage	100Vdc
IR	5000 M? min.
Dissipation Factor	2.50%
Dielectric Withstanding Voltage	250% of Rated Voltage for 5 ±1 seconds, 50mA maximum current



Created 22/12/15 9:03:37 pm

Copyright © 2013, NIC Components Corp. All Rights Reserved.

Reproduction in whole, or in part, without the written permission of the copyright holder is prohibited. All information contained within this page is believed to be accurate and reliable, and is presented without guarantee, warranty, or responsibility of any kind, expressed or implied. Please review product specifications and guidelines on NIC web site prior to ordering.

For additional information please contact NIC TPMG, tpmg@niccomp.com