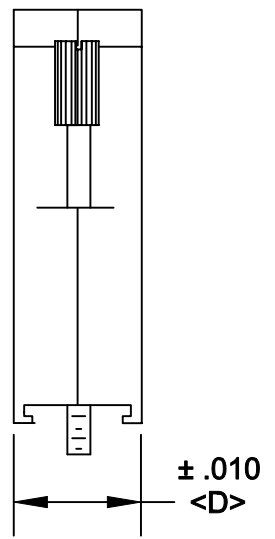
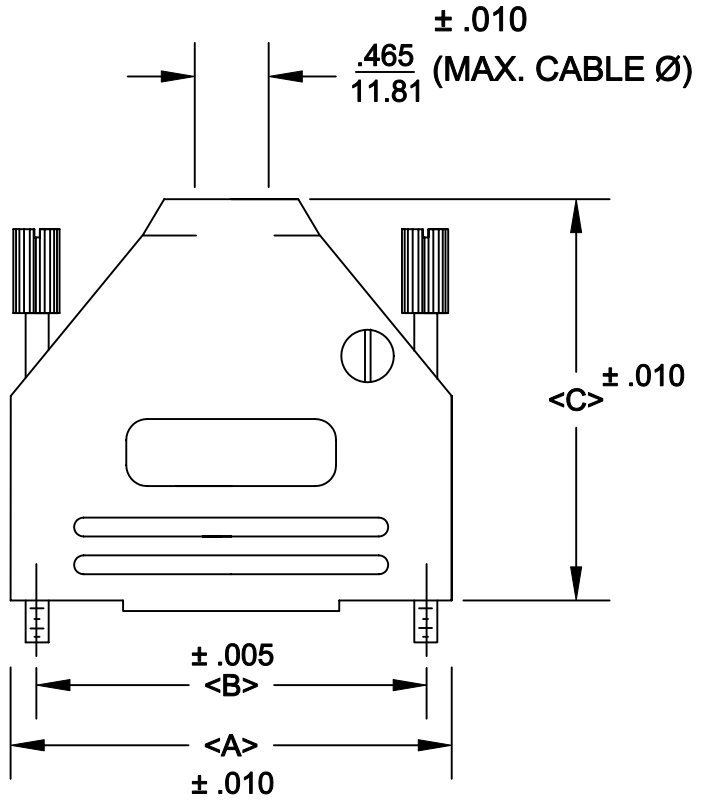


DESCRIPTION: **970 SERIES D-SUB BACKSHELL**

- BACKSHELL KIT INCLUDES:**
- (2) BACKSHELL HALVES
 - (2) 4-40 THUMBSCREWS
 - (2) HOUSING SCREWS/NUTS
 - (1) SET OF COMPRESSION INSERTS-VARIOUS SIZES


970-XXX-010R011

SERIES _____
 POSITIONS _____
 009 _____
 015 _____
 025 _____
 037 _____
 MATERIAL _____
 010 = PLASTIC _____
 COLOR: _____
 01 = BLACK _____
 PUT-UPS _____
 1 = KIT _____



POS.	A	B	C	D
9	1.228	.984	1.571	.610
	31.19	24.99	39.90	15.50
15	1.555	1.312	1.634	.610
	39.50	33.32	41.50	15.50
25	2.102	1.852	1.913	.610
	53.39	47.04	48.59	15.50
37	2.744	2.500	2.110	.610
	69.70	63.50	53.59	15.50

PLASTIC: ABS POLYLAC - BLACK - UL 94V-O
 JACKSCREWS: STEEL - BLACK
 M3 HOODSCREWS: STEEL - BLACK
 COMPRESSION INSERT: ABS UL 94V-O
 M3 NUT: STEEL - BLACK
 OPERATING TEMP: - 30°C TO + 90°C
 RoHS COMPLIANT

	THESE DRAWINGS AND SPECIFICATIONS ARE THE PROPERTY OF NorComp AND SHALL NOT BE REPRODUCED, COPIED OR USED AS THE BASIS FOR THE MANUFACTURE OR SALE OF APPARATUS WITHOUT WRITTEN PERMISSION.		DRAWN: PAM JENKINS	DATE: 6-9-05
				CHECKED:
NorComp		SCALE	SHEET OF	REV 1
		DWG NO. 970 -XXX-010R011		