

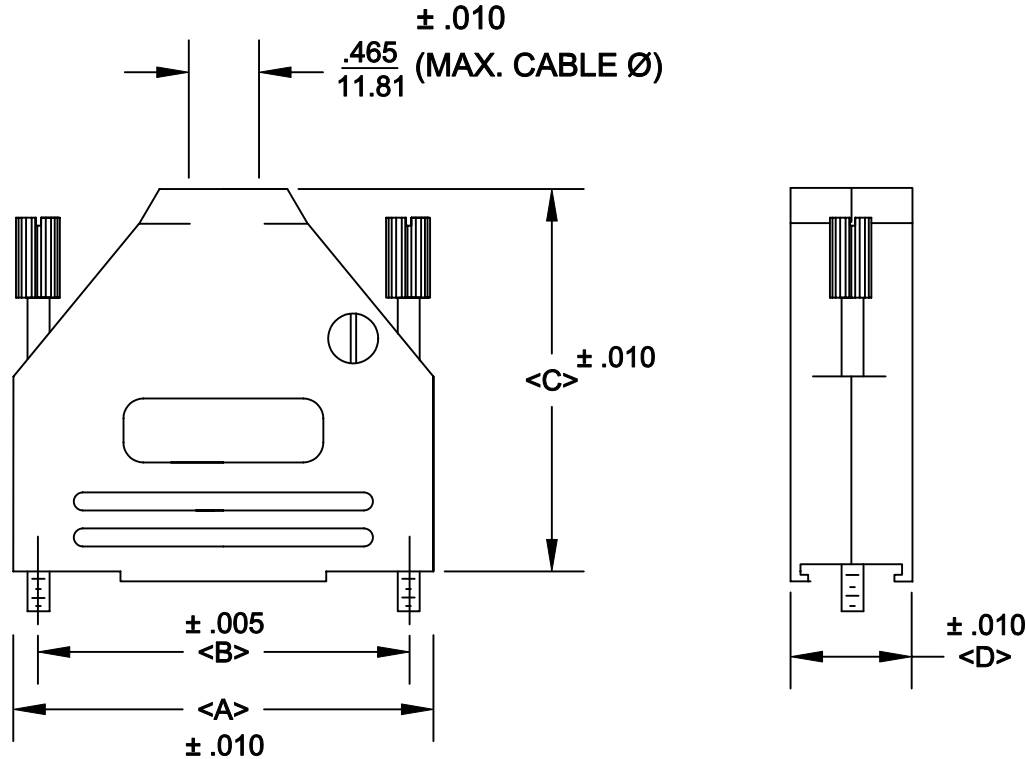
DESCRIPTION: **970 SERIES D-SUB BACKSHELL**

BACKSHELL KIT INCLUDES:

- (2) BACKSHELL HALVES
- (2) 4-40 THUMBSCREWS
- (2) HOUSING SCREWS
- (1) SET OF COMPRESSION INSERTS-VARIOUS SIZES
- (1) COMPRESSION SPRING

970-XXX-020R121

SERIES _____
 POSITIONS _____
 009
 015
 025
 037
 MATERIAL _____
 020 = METALIZED PLASTIC
 COLOR: _____
 12 = NICKEL OVER COPPER
 PUT-UPS _____
 1 = KIT



POS.	A	B	C	D
9	1.228	.984	1.571	.610
	31.19	24.99	39.90	15.50
15	1.555	1.312	1.634	.610
	39.50	33.32	41.50	15.50
25	2.102	1.852	1.913	.610
	53.39	47.04	48.59	15.50
37	2.744	2.500	2.110	.610
	69.70	63.50	53.59	15.50

PLASTIC: ABS VH-0800 - NICKEL PLATED - UL94V-O

JACKSCREWS: STEEL


M3 HOODSCREWS: STEEL

COMPRESSION INSERT: ABS UL 94V-O

M3 NUT: STEEL

OPERATING TEMP: - 30°C TO + 90°C

RoHS COMPLIANT

	THESE DRAWINGS AND SPECIFICATIONS ARE THE PROPERTY OF NorComp AND SHALL NOT BE REPRODUCED, COPIED OR USED AS THE BASIS FOR THE MANUFACTURE OR SALE OF APPARATUS WITHOUT WRITTEN PERMISSION.		DRAWN: PAM JENKINS	DATE: 6-9-05
			CHECKED:	DATE:
NorComp		SCALE	SHEET OF	REV 1
		DWG NO. 970 -XXX-020R121		