

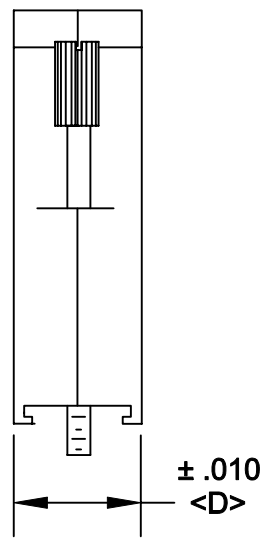
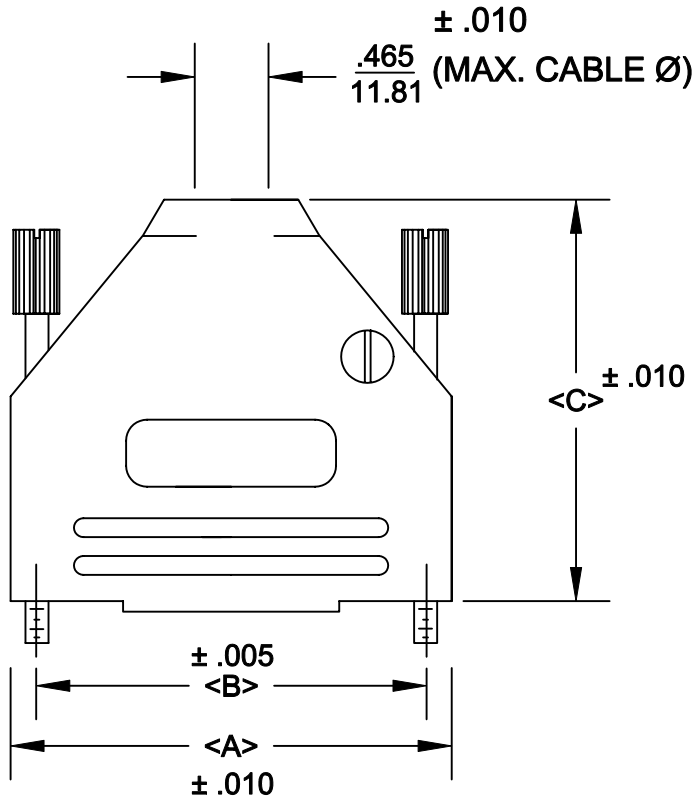
DESCRIPTION: **970 SERIES D-SUB BACKSHELL**

BACKSHELL KIT INCLUDES:

- (2) BACKSHELL HALVES
- (2) 4-40 THUMBSCREWS
- (2) HOUSING SCREWS
- (1) SET OF COMPRESSION INSERTS-VARIOUS SIZES
- (1) COMPRESSION SPRING

970-YYY-020R121


SERIES _____
 POSITIONS _____
 009
 015
 025
 037
 MATERIAL _____
 020 = METALIZED PLASTIC
 COLOR: _____
 12 = NICKEL OVER COPPER
 PUT-UPS _____
 1 = KIT



POS.	A	B	C	D
9	1.228	.984	1.571	.590
	31.19	24.99	39.90	14.99
15	1.555	1.312	1.534	.590
	39.50	33.32	38.96	14.99
25	2.102	1.852	1.913	.590
	53.39	47.04	48.59	14.99
37	2.744	2.500	2.110	.590
	69.70	63.50	53.59	14.99

PLASTIC: ABS VH-0800 - NICKEL PLATED - UL94V-O
 JACKSCREWS: STEEL
 M3 HOODSCREWS: STEEL
 COMPRESSION INSERT: ABS UL 94V-O
 M3 NUT: STEEL
 OPERATING TEMP: - 30°C TO + 90°C

RoHS COMPLIANT

	THESE DRAWINGS AND SPECIFICATIONS ARE THE PROPERTY OF NorComp AND SHALL NOT BE REPRODUCED, COPIED OR USED AS THE BASIS FOR THE MANUFACTURE OR SALE OF APPARATUS WITHOUT WRITTEN PERMISSION.		DRAWN: PAM JENKINS	DATE: 6-9-05
				CHECKED:
NorComp		SCALE	SHEET 1 OF 1	REV 3
		DWG NO. 970 YYY-020R121		