

DESCRIPTION: 971 SERIES D-SUB BACKSHELL

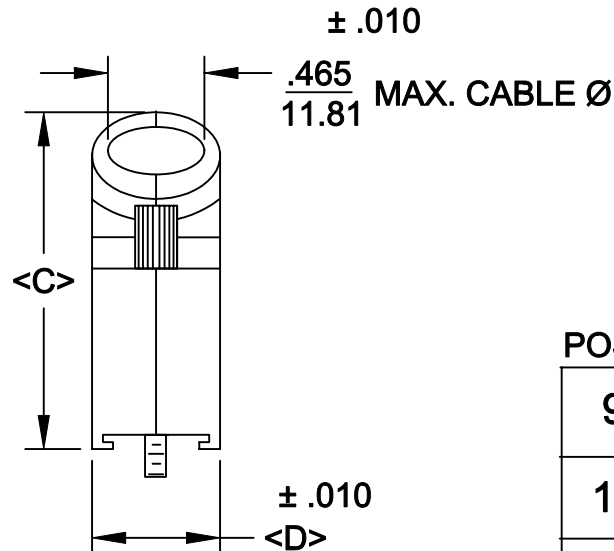
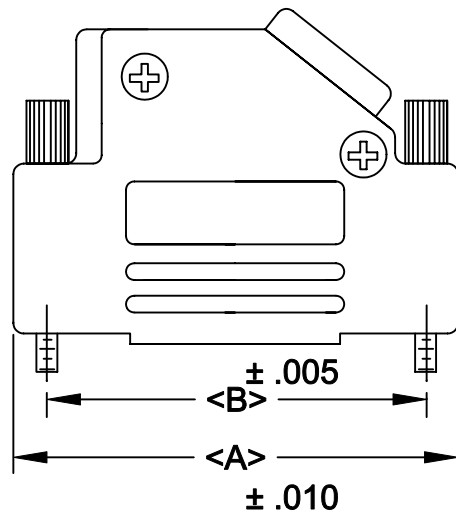
BACKSHELL KIT INCLUDES:

- (2) BACKSHELL HALVES
- (2) 4-40 THUMBSCREWS
- (2) HOUSING SCREWS
- (1) COMPRESSION RING - VARIOUS SIZES

**NOTE: 9 POSITION HAS ONLY 1 THUMBSCREW
(OPPOSITE CABLE ENTRY)**

971-XXX-040R011


SERIES _____
 POSITIONS _____
 009
 015
 025
 037
 MATERIAL _____
 040 = ZINC
 COLOR: _____
 01 = BLACK
 PUT-UPS _____
 1 = KIT



| POS. | A | B | C | D |
|------|-------|-------|-------|-------|
| 9 | 1.220 | .984 | 1.496 | .610 |
| | 30.99 | 24.99 | 38.00 | 15.50 |
| 15 | 1.595 | 1.312 | 1.618 | .610 |
| | 40.51 | 33.32 | 41.10 | 15.50 |
| 25 | 2.114 | 1.852 | 1.646 | .610 |
| | 53.70 | 47.04 | 41.81 | 15.50 |
| 37 | 2.748 | 2.500 | 1.646 | .610 |
| | 69.80 | 63.50 | 41.81 | 15.50 |

PLASTIC: DIE CAST ZINC ALLOY
 PLATING: BLACK OVER COPPER
 JACKSCREWS: STEEL - BLACK
 HOOD SCREWS: STEEL - BLACK
 COMPRESSION INSERTS: ABS UL 94V-O
 NUTS: STEEL - BLACK
 OPERATING TEMP: -30°C TO + 90 °C

RoHS COMPLIANT

| | | | | | |
|--|---|-----------------------------------|------------------------------|-------------------------|-----------------|
|  | THESE DRAWINGS AND SPECIFICATIONS ARE THE PROPERTY OF NorComp AND SHALL NOT BE REPRODUCED, COPIED OR USED AS THE BASIS FOR THE MANUFACTURE OR SALE OF APPARATUS WITHOUT WRITTEN PERMISSION. | | DRAWN: PAM JENKINS | DATE: 6-10-05 | |
| | | | | CHECKED: | DATE: |
| NorComp | | SCALE | SHEET | OF | REV 1 |
| | | DWG NO. 971-XXX-040R011 | | | |