

**DESCRIPTION: 973 SERIES D-SUB BACKSHELL**

**BACKSHELL KIT INCLUDES:**

- (2) BACKSHELL HALVES
- (2) 4-40 THUMBSCREWS
- (2) HOUSING SCREWS
- (1) METAL STRAIN RELIEF CLAMP
- (2) STRAIN RELIEF SCREWS

**973-XXX-XXXRXX1**

SERIES \_\_\_\_\_

POSITIONS \_\_\_\_\_

009  
015  
025  
037  
050

MATERIAL \_\_\_\_\_

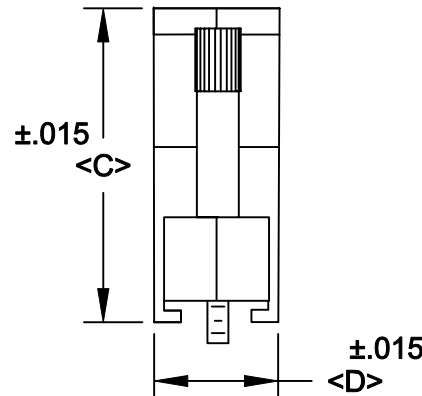
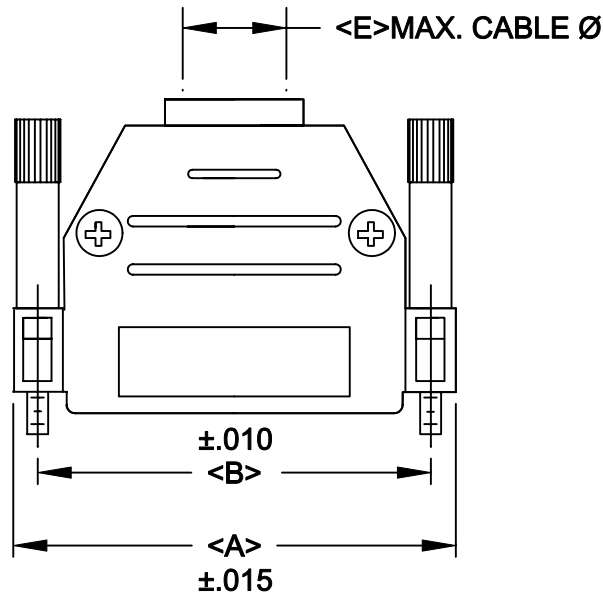
010 = PLASTIC  
020 = METALIZED PLASTIC

COLOR: \_\_\_\_\_

01 = BLACK  
12 = NICKEL OVER COPPER

PUT-UPS \_\_\_\_\_

1 = KIT



POS.	A	B	C	D	E
9	1.240	.984	1.221	.598	.335
	31.50	24.99	31.01	15.19	8.51
15	1.575	1.312	1.378	.598	.335
	40.01	33.32	35.00	15.19	8.51
25	2.106	1.852	1.496	.598	.433
	53.49	47.04	38.00	15.19	11.00
37	2.756	2.500	1.575	.598	.433
	70.00	63.50	40.01	15.19	11.00
50	2.657	2.406	1.575	.717	.472
	67.49	61.00	40.01	18.21	11.99

**METALIZED PLASTIC:**  
**MATERIAL: HIGH TEMPERATURE ABS**  
**PLATING: NICKEL OVER COPPER**

**PLASTIC:**  
**MATERIAL: HIGH TEMPERATURE ABS**  
**COLOR: BLACK**  
**OPERATING TEMP: -55°C TO +125°C**  
**RoHS COMPLIANT**

	THESE DRAWINGS AND SPECIFICATIONS ARE THE PROPERTY OF NorComp AND SHALL NOT BE REPRODUCED, COPIED OR USED AS THE BASIS FOR THE MANUFACTURE OR SALES OF APPARATUS WITHOUT WRITTEN PERMISSION.		DRAWN: <b>PAM JENKINS</b>	DATE: <b>7-15-05</b>
			CHECKED:	DATE:
<h1>NorComp</h1>			SCALE	SHEET OF
			DWG NO. <b>973-XXX-0X0RXX1</b>	