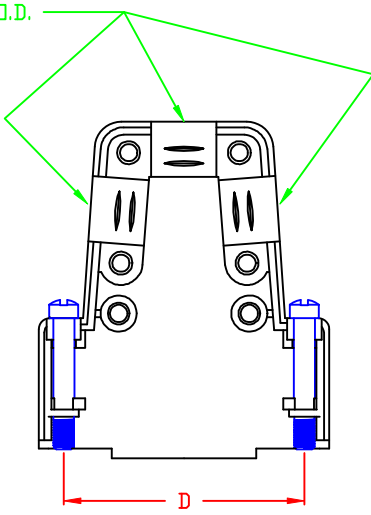
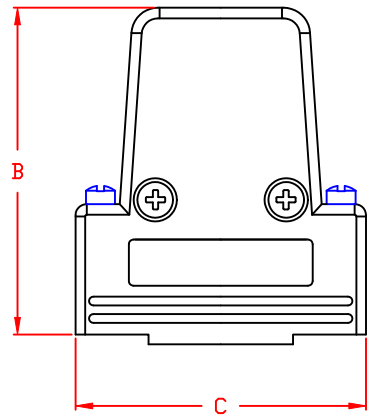
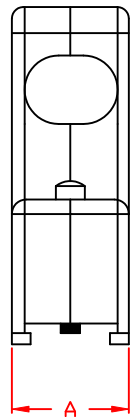


MATERIAL:

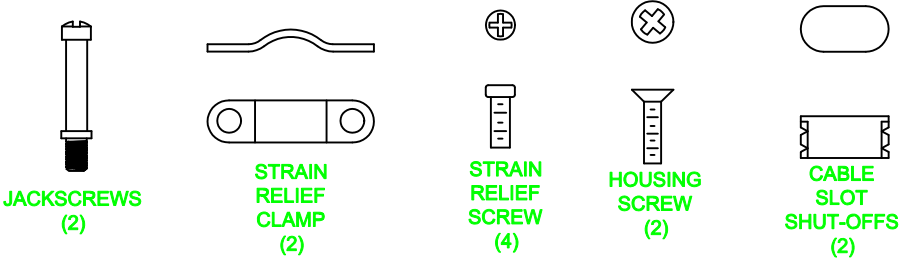
- PLASTIC: UL94V-O, ABS PLASTIC
- METALIZED: NICKEL OVER COPPER
- JACKSCREWS: STEEL
- HOUSING SCREWS: STEEL
- OPERATING TEMP: -55°C TO +110°C

E = MAX CABLE O.D.



BACKSHELL KIT INCLUDES:

- (2) BACKSHELL HAVLES
- (2) 4-40 JACKSCREWS
- (2) HOUSING SCREWS (self-tapping)
- (2) STRAIN RELIEF CLAMP
- (4) STRAIN RELIEF SCREWS (self-tapping)
- (2) CABLE SLOT SHUT-OFFS



975TYYY-YYYRYY1

SERIES _____

POSITIONS _____

009 _____

015 _____

025 _____

037 _____

MATERIAL _____

010 = PLASTIC

020 = METALIZED

COLOR: _____

01 = BLACK

12 = NICKEL OVER COPPER

PUT-UPS _____

1 = KIT

POS.	A	B	C	D	E
9	0.614	1.574	1.256	0.984	0.230
	15.6	40	31.9	25	5.85
15	0.614	1.771	1.586	1.311	0.340
	15.6	45	40.3	33.33	8.63
25	0.614	1.771	2.126	1.850	0.400
	15.6	45	54	47	10.16
37	0.614	1.771	2.775	2.500	0.400
	15.6	45	70.5	63.5	10.16

DO NOT SCALE FROM DRAWING

	THESE DRAWINGS AND SPECIFICATIONS ARE THE PROPERTY OF NorComp AND SHALL NOT BE REPRODUCED, COPIED OR USED AS THE BASIS FOR THE MANUFACTURE OF SALE OF APPARATUS WITHOUT WRITTEN PERMISSION.		DRAWN: M. SIGMON	DATE: 03-17-11
			CHECKED:	DATE:
NorComp		SCALE: 1 : 1	SHEET 1 OF 1	REV 0
		DWG NO. 975TYYY-YYYRYY1		

RoHS COMPLIANT