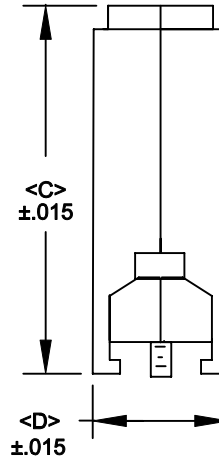
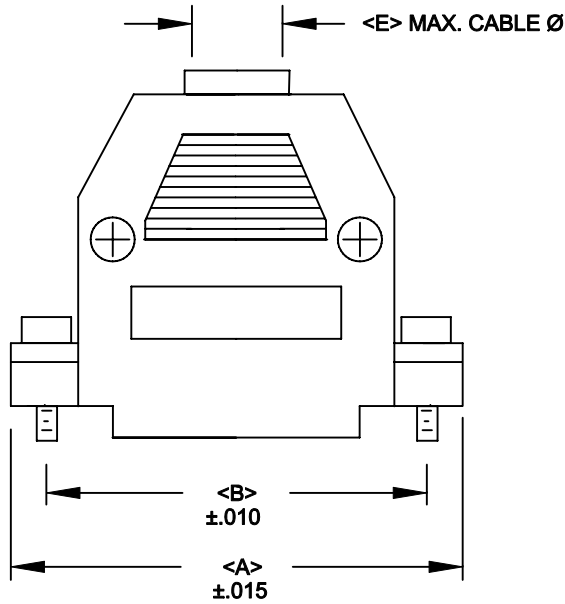


**BACKSHELL KIT INCLUDES:**

- (2) BACKSHELL HALVES
- (2) HOUSING SCREWS
- (2) HOUSING NUTS
- (2) 4-40 MOUNTING SCREWS
- (2) SADDLE WASHERS
- (2) STRAIN RELIEF CLAMPS
- (2) STRAIN RELIEF SCREWS



**PLASTIC:**

MATERIAL: ABS HIGH TEMP. PLASTIC, 94HB  
 PLATING: NONE  
 OPERATING TEMP.: -35°C TO +85°C

**METALIZED PLASTIC:**

MATERIAL: ABS HIGH TEMP. PLASTIC, 94HB  
 PLATING: CHROME  
 OPERATING TEMP.: -35°C TO +85°C

977-YYY-YYYRYY1

SERIES \_\_\_\_\_  
 POSITIONS \_\_\_\_\_  
 009  
 015  
 025  
 037  
 MATERIAL \_\_\_\_\_  
 010 = PLASTIC  
 020 = METALIZED PLASTIC  
 COLOR: \_\_\_\_\_  
 03 = GREY  
 12 = NICKEL OVER COPPER  
 PUT-UPS \_\_\_\_\_  
 1 = KIT

POSITION:	A	B	C	D	E
9	1.213	.984	1.594	.646	.275
	30.81	24.99	40.49	16.41	6.99
15	1.563	1.312	1.453	.646	.400
	39.70	33.32	36.91	16.41	10.16
25	2.165	1.852	1.752	.646	.435
	54.99	47.04	44.50	16.41	11.05
37	2.736	2.500	2.096	.984	.535
	69.49	62.50	53.24	24.99	13.59



THESE DRAWINGS AND SPECIFICATIONS ARE THE PROPERTY OF NorComp AND SHALL NOT BE REPRODUCED, COPIED OR USED AS THE BASIS FOR THE MANUFACTURE OR SALE OF APPARATUS WITHOUT WRITTEN PERMISSION.

DRAWN: PAM JENKINS DATE: 7-28-05

CHECKED: DATE:

**NorComp**

SCALE SHEET OF REV  
 1 1 4

DWG NO. 977-YYY-YYYRYY1

RoHS COMPLIANT