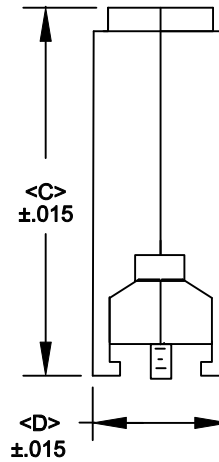
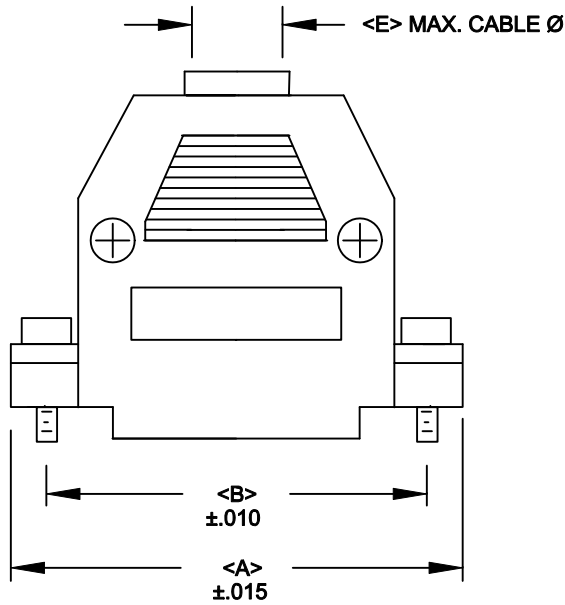


BACKSHELL KIT INCLUDES:

- (2) BACKSHELL HALVES
- (2) HOUSING SCREWS
- (2) HOUSING NUTS
- (2) 4-40 MOUNTING SCREWS
- (2) SADDLE WASHERS
- (2) STRAIN RELIEF CLAMPS
- (2) STRAIN RELIEF SCREWS



PLASTIC:

MATERIAL: ABS HIGH TEMP. PLASTIC, 94HB
 PLATING: NONE
 OPERATING TEMP.: -35°C TO +85°C

METALIZED PLASTIC:

MATERIAL: ABS HIGH TEMP. PLASTIC, 94HB
 PLATING: NICKEL OVER COPPER
 OPERATING TEMP.: -35°C TO +85°C

977-YYY-YYYRYY1

SERIES _____
 POSITIONS _____
 009
 015
 025
 037
 MATERIAL _____
 010 = PLASTIC
 020 = METALIZED PLASTIC
 COLOR: _____
 03 = GREY
 12 = NICKEL OVER COPPER
 PUT-UPS _____
 1 = KIT

POSITION:	A	B	C	D	E
9	1.213	.984	1.594	.646	.275
	30.81	24.99	40.49	16.41	6.99
15	1.563	1.312	1.453	.646	.400
	39.70	33.32	36.91	16.41	10.16
25	2.165	1.852	1.752	.646	.435
	54.99	47.04	44.50	16.41	11.05
37	2.736	2.500	2.096	.984	.535
	69.49	62.50	53.24	24.99	13.59



THESE DRAWINGS AND SPECIFICATIONS ARE THE PROPERTY OF NorComp AND SHALL NOT BE REPRODUCED, COPIED OR USED AS THE BASIS FOR THE MANUFACTURE OR SALE OF APPARATUS WITHOUT WRITTEN PERMISSION.

DRAWN: PAM JENKINS

DATE: 7-28-05

CHECKED:

DATE:

NorComp

SCALE SHEET OF REV
 1 1 5

DWG NO. 977-YYY-YYYRYY1

RoHS COMPLIANT