

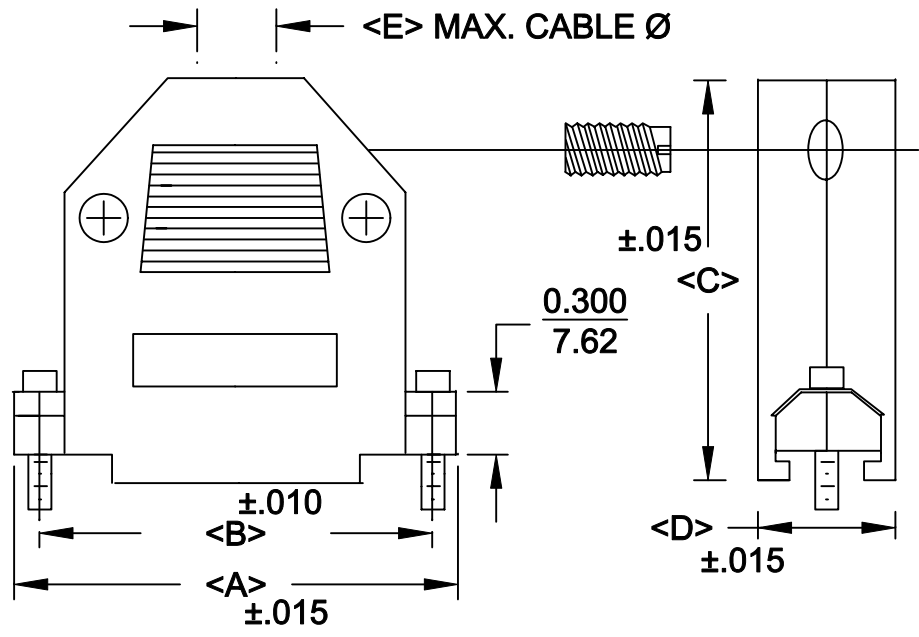
DESCRIPTION: **978 SERIES D-SUB BACKSHELL**

**BACKSHELL KIT INCLUDES:**

- (2) BACKSHELL HALVES
- (2) 4-40 MOUNTING SCREWS
- (2) SADDLE WASHERS
- (2) HOUSING SCREWS
- (2) 4-40 HOUSING NUTS
- (1) STRAIN RELIEF THREADED ROD

978-XXX-XXXRXX1

SERIES \_\_\_\_\_  
 POSITIONS \_\_\_\_\_  
 009  
 015  
 025  
 037  
 050  
 MATERIAL \_\_\_\_\_  
 010 = PLASTIC  
 020 = METALIZED PLASTIC  
 COLOR: \_\_\_\_\_  
 03 = GREY  
 12 = NICKEL OVER COPPER  
 PUT-UPS \_\_\_\_\_  
 1 = KIT




POS	A	B	C	D	E
9	1.220	.984	1.693	.655	.276
	31.00	24.99	43.00	16.64	7.00
15	1.535	1.312	1.693	.655	.315
	39.00	33.32	43.00	16.64	8.00
25	2.118	1.852	1.929	.655	.374
	54.00	47.04	49.00	16.64	9.50
37	2.756	2.500	1.929	.655	.433
	70.00	63.50	49.00	16.64	11.00
50	2.650	2.406	1.909	.655	.551
	67.30	61.11	48.50	16.64	14.00

**METALIZED PLASTIC:**  
 MATERIAL: ABS HIGH TEMPERATURE 94HB  
 METALIZED PLATING: CHROME

**PLASTIC:**  
 MATERIAL: ABS HIGH TEMPERATURE 94HB  
 GREY

RoHS COMPLIANT

	THESE DRAWINGS AND SPECIFICATIONS ARE THE PROPERTY OF NorComp AND SHALL NOT BE REPRODUCED, COPIED OR USED AS THE BASIS FOR THE MANUFACTURE OR SALE OF APPARATUS WITHOUT WRITTEN PERMISSION.		DRAWN: <b>PAM JENKINS</b>	DATE: <b>7-28-05</b>
			CHECKED:	DATE:
<b>NorComp</b>		SCALE	SHEET OF	REV <b>1</b>
		DWG NO. <b>978-XXX-0X0RXX1</b>		