

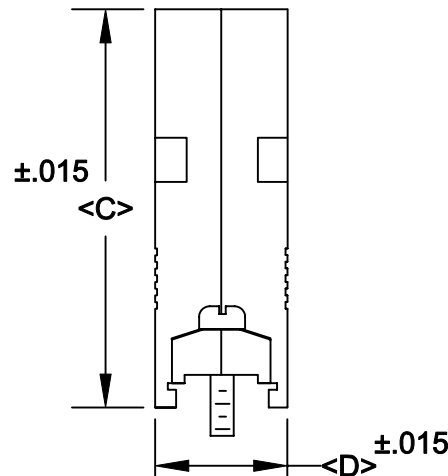
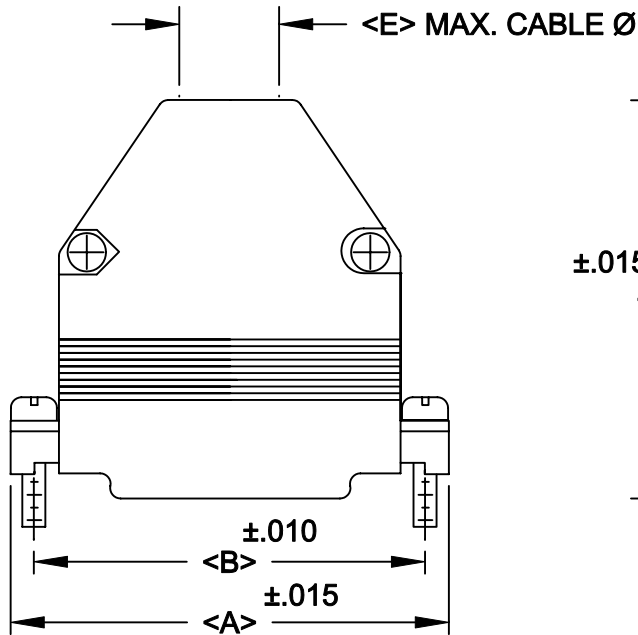
DESCRIPTION: **979 SERIES D-SUB BACKSHELL**

979-XXX-XXXRXX1

**BACKSHELL KIT INCLUDES:**

- (2) BACKSHELL HALVES
- (2) 4-40 MATING SCREW
- (2) SADDLE WASHERS
- (2) HOUSING SCREWS
- (2) HOUSING NUTS
- (1) GROMMET TREE - VARIOUS SIZES  
(NON-CONDUCTIVE GROMMETS)

SERIES \_\_\_\_\_  
 POSITIONS \_\_\_\_\_  
 009  
 015  
 025  
 037  
 050  
 MATERIAL \_\_\_\_\_  
 030 = ZINC  
 COLOR: \_\_\_\_\_  
 12 = NICKEL  
 PUT-UPS \_\_\_\_\_  
 1 = KIT



POS.	A	B	C	D	E
9	1.225	.984	1.900	.630	.415
	31.12	24.99	48.26	16.00	10.54
15	1.553	1.312	1.900	.630	.415
	39.44	33.32	48.26	16.00	10.54
25	2.100	1.852	1.900	.630	.415
	53.34	47.04	48.26	16.00	10.54
37	2.730	2.500	1.900	.630	.620
	69.34	63.50	48.26	16.00	15.74
50	2.640	2.406	1.900	.770	.730
	67.06	61.11	48.26	19.56	18.54

**MATERIAL: DIE-CAST ZINC ALLOY**  
**PLATING: NICKEL**  
**RoHS COMPLIANT**



THESE DRAWINGS AND SPECIFICATIONS ARE THE PROPERTY OF NorComp AND SHALL NOT BE REPRODUCED, COPIED OR USED AS THE BASIS FOR THE MANUFACTURE OR SALE OF APPARATUS WITHOUT WRITTEN PERMISSION.

DRAWN: **PAM JENKINS**

DATE: **3-12-05**

CHECKED

DATE:

**NorComp**

SCALE SHEET OF REV **1**

DWG NO. **979-XXX-030R121**