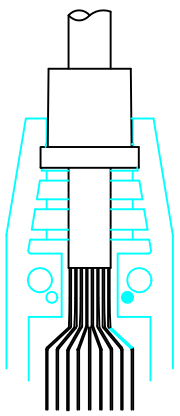
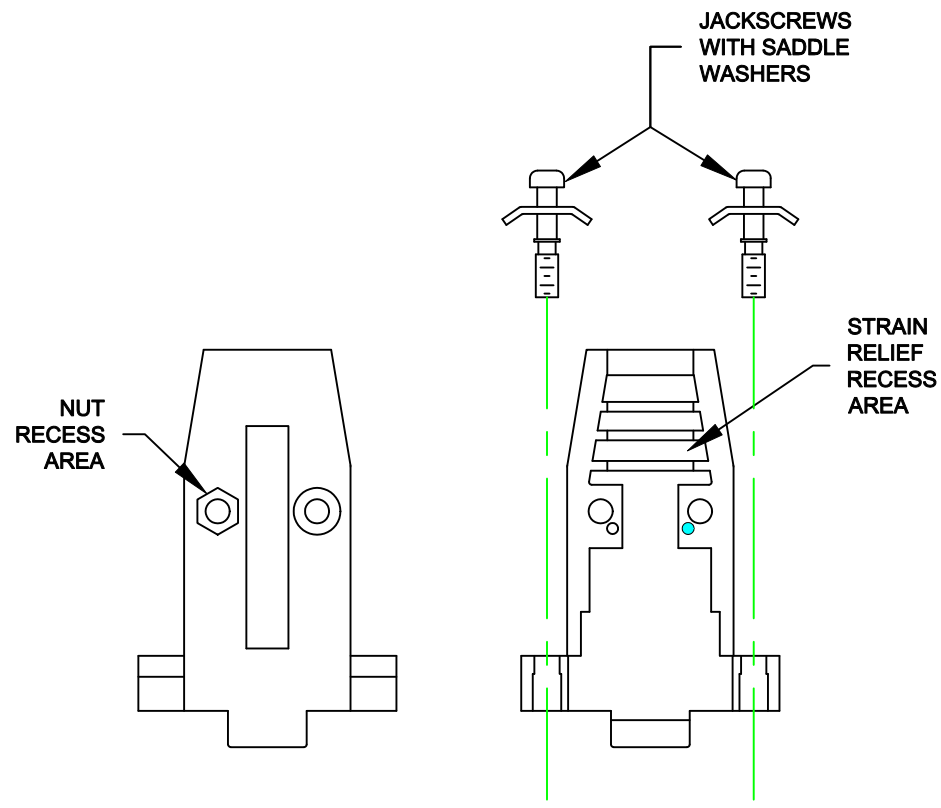
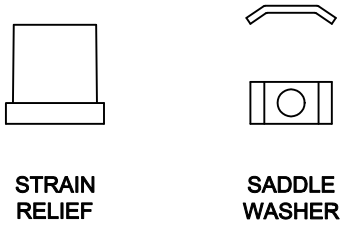


ASSEMBLY INSTRUCTIONS:

1. CHOOSE THE STRAIN RELIEF THAT MOST CLOSELY MATCH THE CABLE O/D AND SLIDE OVER CABLE JACKET
2. PREPARE CABLE ENDS, CONNECT TO CONNECTOR
3. INSERT THE STRAIN RELIEF INTO A SLOT IN ONE HALF OF THE HOOD. IF LESS FLEX IS DESIRED IN THE STRAIN RELIEF, THE STRAIN RELIEF MAY BE INSERTED INTO A LOWER SLOT IN THE HOOD
4. INSERT THE JACKSCREWS IN THE SADDLE WASHERS. PLACE THE JACKSCREWS INTO THE HOOD WITH THE CABLE
5. PLACE THE OTHER HALF OF THE HOOD ON TOP OF THE FIRST HALF, MAKING SURE NO WIRES ARE PINCHED
6. HOLDING THE HOOD HALVES TOGETHER, INSERT THE MOUNTING SCREWS THROUGH THE HOODS IN OPPOSITE DIRECTIONS. TIGHTEN THE TWO HALVES TOGETHER




ITEM No. 1 & 3



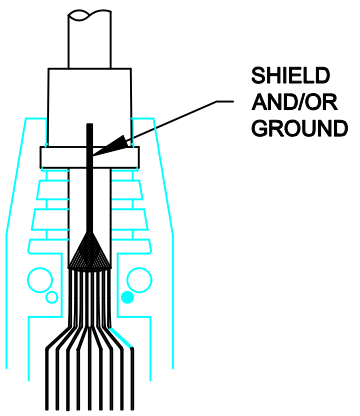
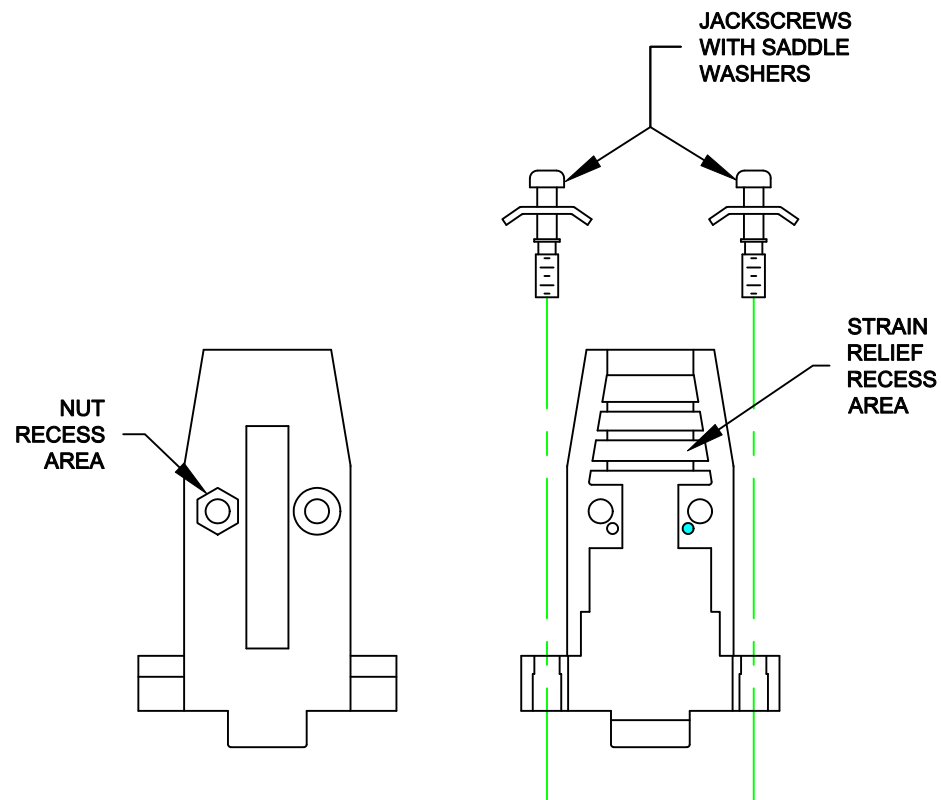
RoHS COMPLIANT

PLASTIC

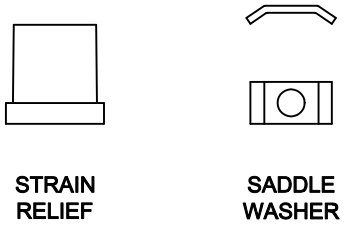
	THESE DRAWINGS AND SPECIFICATIONS ARE THE PROPERTY OF NorComp AND SHALL NOT BE REPRODUCED, COPIED OR USED AS THE BASIS FOR THE MANUFACTURE OF SALE OF APPARATUS WITHOUT WRITTEN PERMISSION.		DRAWN: C. SMITH	DATE: 03-30-06	
			CHECKED: X	DATE: X	
<h1>NorComp</h1>			SCALE: N.T.S.	SHEET 1 OF 3	REV 1
			DWG NO. BACKSHELL - 979 SERIES		

ASSEMBLY INSTRUCTIONS:

1. CHOOSE THE STRAIN RELIEF THAT MOST CLOSELY MATCH THE CABLE O/D AND SLIDE OVER CABLE JACKET
2. PREPARE CABLE ENDS, CONNECT TO CONNECTOR
3. IF CABLE IS SHIELDED, FOLD SHIELD AND/OR GROUND WIRE BACK OVER STRAIN RELIEF. CUT OFF ANY EXCESS WIRE SO IT DOES NOT STICK OUT OF THE HOOD
4. INSERT THE STRAIN RELIEF INTO A SLOT IN ONE HALF OF THE HOOD. IF LESS FLEX IS DESIRED IN THE STRAIN RELIEF, THE STRAIN RELIEF MAY BE INSERTED INTO A LOWER SLOT IN THE HOOD
5. INSERT THE JACKSCREWS IN THE SADDLE WASHERS. PLACE THE JACKSCREWS INTO THE HOOD WITH THE CABLE
6. PLACE THE OTHER HALVE OF THE HOOD ON TOP OF THE FIRST HALF, MAKING SURE NO WIRES ARE PINCHED
7. HOLDING THE HOOD HALVES TOGETHER, INSERT THE MOUNTING SCREWS THROUGH THE HOODS IN OPPOSITE DIRECTIONS. TIGHTEN THE TWO HALVES TOGETHER



ITEM No. 1, 3 & 4



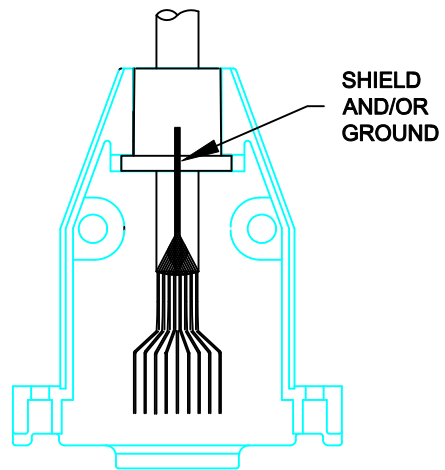
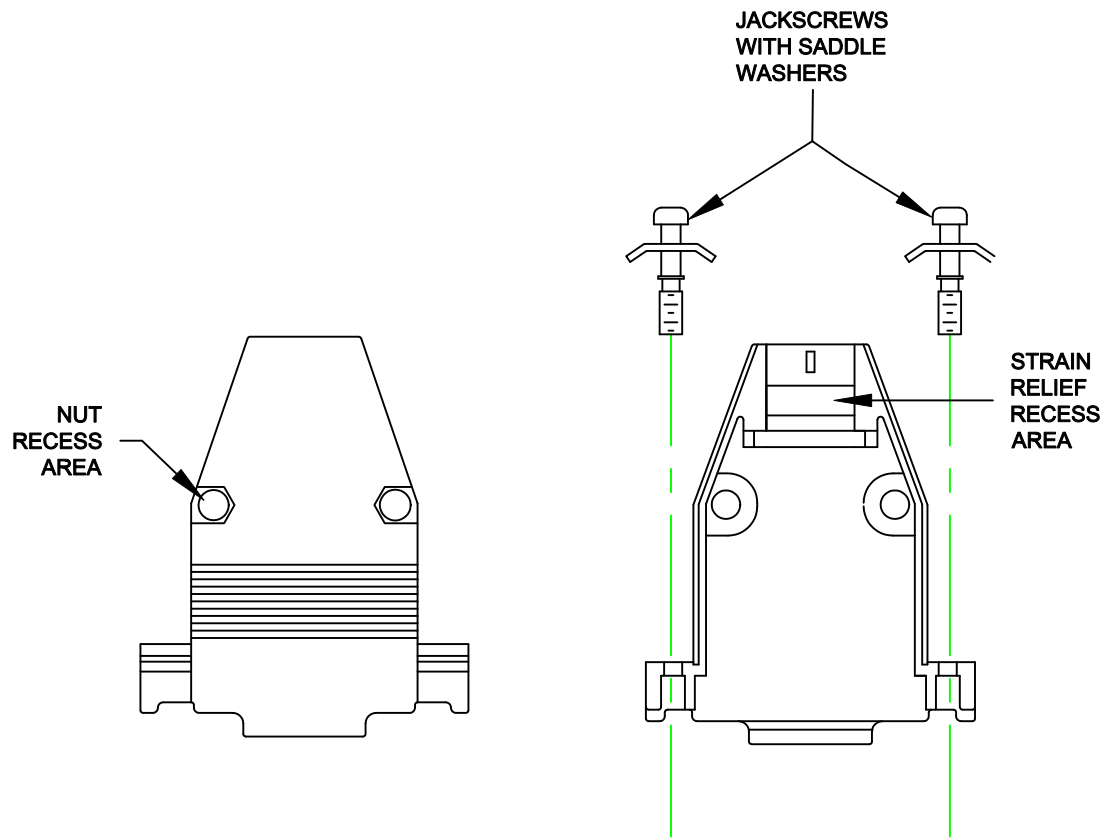
RoHS COMPLIANT

METALIZED PLASTIC

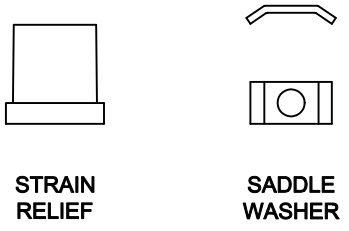
	THESE DRAWINGS AND SPECIFICATIONS ARE THE PROPERTY OF NorComp AND SHALL NOT BE REPRODUCED, COPIED OR USED AS THE BASIS FOR THE MANUFACTURE OF SALE OF APPARATUS WITHOUT WRITTEN PERMISSION.		DRAWN: C. SMITH	DATE: 03-30-06
			CHECKED: X	DATE: X
NorComp		SCALE: N.T.S.	SHEET 2	OF 3
		DWG NO. BACKSHELL - 979 SERIES		

ASSEMBLY INSTRUCTIONS:

1. CHOOSE THE STRAIN RELIEF THAT MOST CLOSELY MATCH THE CABLE O/D AND SLIDE OVER CABLE JACKET
2. PREPARE CABLE ENDS, CONNECT TO CONNECTOR
3. IF CABLE IS SHIELDED, FOLD SHIELD AND/OR GROUND WIRE BACK OVER STRAIN RELIEF. CUT OFF ANY EXCESS WIRE SO IT DOES NOT STICK OUT OF THE HOOD
4. INSERT THE STRAIN RELIEF INTO A SLOT IN ONE HALF OF THE HOOD. IF LESS FLEX IS DESIRED IN THE STRAIN RELIEF, THE STRAIN RELIEF MAY BE INSERTED INTO A LOWER SLOT IN THE HOOD
5. INSERT THE JACKSCREWS IN THE SADDLE WASHERS. PLACE THE JACKSCREWS INTO THE HOOD WITH THE CABLE
6. PLACE THE OTHER HALVE OF THE HOOD ON TOP OF THE FIRST HALF, MAKING SURE NO WIRES ARE PINCHED
7. HOLDING THE HOOD HALVES TOGETHER, INSERT THE MOUNTING SCREWS THROUGH THE HOODS IN OPPOSITE DIRECTIONS. TIGHTEN THE TWO HALVES TOGETHER



ITEM No. 1, 3 & 4



RoHS COMPLIANT

DIE CAST

	THESE DRAWINGS AND SPECIFICATIONS ARE THE PROPERTY OF NorComp AND SHALL NOT BE REPRODUCED, COPIED OR USED AS THE BASIS FOR THE MANUFACTURE OF SALE OF APPARATUS WITHOUT WRITTEN PERMISSION.		DRAWN: C. SMITH	DATE: 03-30-06
			CHECKED: X	DATE: X
<h1>NorComp</h1>		SCALE: N.T.S.	SHEET 3 OF 3	REV 1
		DWG NO. BACKSHELL - 979 SERIES		