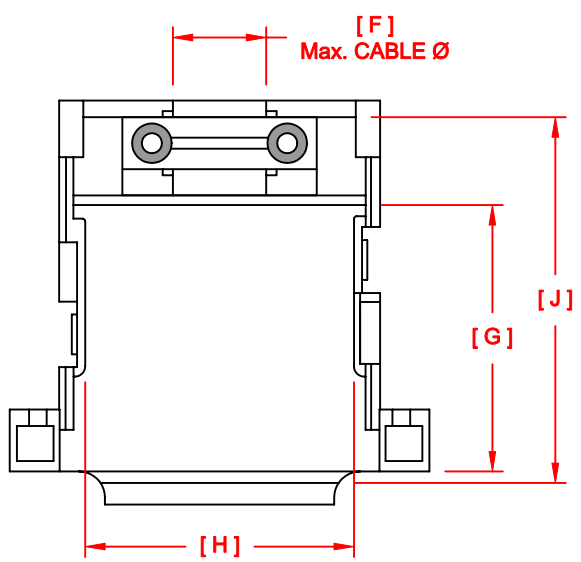
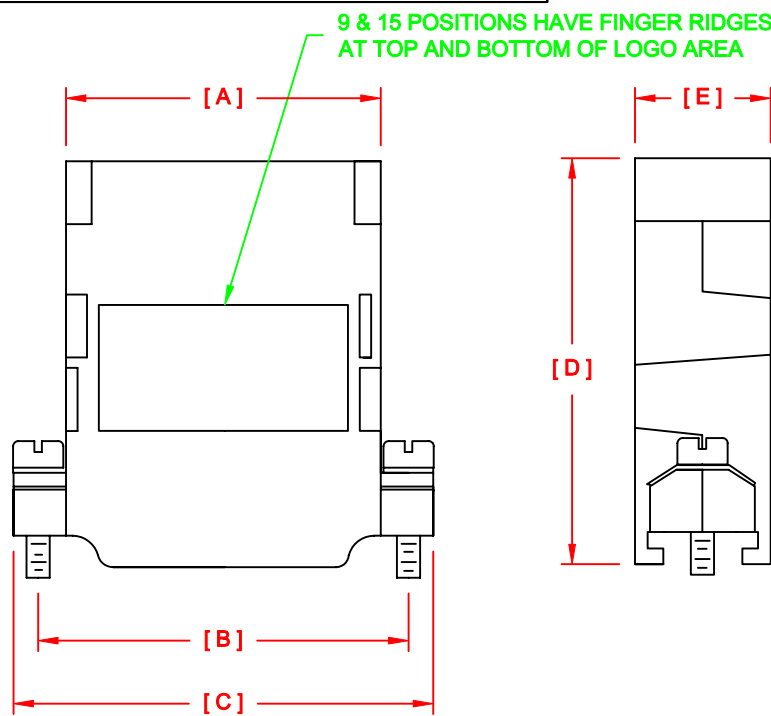


DESCRIPTION: 983 SERIES D-SUB BACKSHELL



INTERNAL VIEW WITH YOKE INSERTED

RoHS COMPLIANT

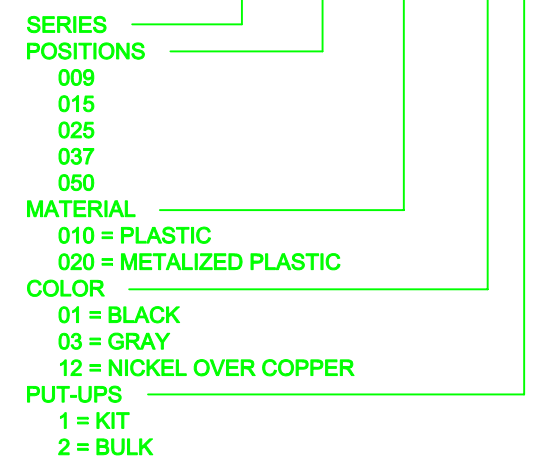
DIMENSIONS

No. OF PINS	A	B	C	D	E	F	G	H	J
9	0.783	0.984	1.252	1.929	0.654	0.270	1.285	0.546	1.740
	19.88	24.99	31.80	49.00	16.60	6.86	32.64	13.87	44.20
15	1.089	1.312	1.567	1.929	0.654	0.450	1.285	0.837	1.700
	27.66	33.32	39.80	49.00	16.60	11.43	32.65	21.26	43.18
25	1.652	1.852	2.122	1.925	0.654	0.470	1.270	1.403	1.743
	41.95	47.04	53.90	48.90	16.60	11.94	32.25	35.64	44.27
37	2.278	2.500	2.756	1.940	0.654	0.470	1.300	2.030	1.726
	57.86	63.50	70.00	49.28	16.60	11.94	33.02	51.55	43.84
50	2.200	2.406	2.670	1.950	0.781	0.540	1.293	1.932	1.744
	55.88	61.11	67.82	49.53	19.84	13.72	32.85	49.07	44.30

ALL TOLERANCES = ±0.016 [±0.40]
UNLESS OTHERWISE INDICATED

MATERIAL: THERMOPLASTIC,
UL 94V-0, BLACK OR GRAY
IF PLATED : NICKEL OVER COPPER

983-YYY-0Y0RYY1



BACKSHELL KIT INCLUDES:

- 2 - BACKSHELL HALVES
- 1 - YOKE
- 2 - STRAIN RELIEF CLAMPS
- 2 - STRAIN RELIEF SCREWS
- 2 - SADDLE WASHERS
- 2 - 4-40 MOUNTING SCREWS (ROUND HEAD)

DO NOT SCALE FROM DRAWING

	THESE DRAWINGS AND SPECIFICATIONS ARE THE PROPERTY OF NorComp AND SHALL NOT BE REPRODUCED, COPIED OR USED AS THE BASIS FOR THE MANUFACTURE OR SALE OF APPARATUS WITHOUT WRITTEN PERMISSION.	DRAWN: PAM JENKINS CHECKED:	DATE: 07-28-05 DATE:
	<h1>NorComp</h1>	SCALE: NTS DWG NO. 983-YYY-0Y0RYY1	SHEET 1 OF 1 REV 5