

# D-sub Connectors XM3-L/XM2-L/XM4K/XM4L

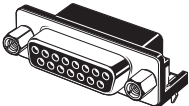
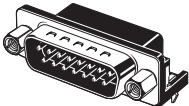
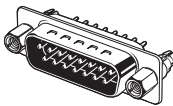
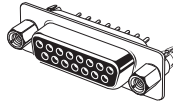
**Cost-effective, PCB Mount D-Sub Connectors Provide Savings versus Original XM3 Connectors.**

- Determine anchor screw diameters at a glance.
- Greatly simplified anchor combinations.
- Shielded against EMI.
- Conforms to UL standards.  
(No. E103202) (Except XM4Z models.)
- RoHS Compliant.

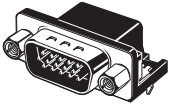
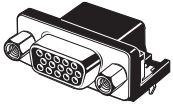
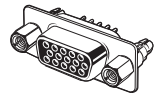



## Connectors and Anchors

### Standard-density

Model	XM3B-L	XM2C-L	XM2E-L	XM2F-L
Type	Sockets with Right-angle DIP Terminals	Plugs with Right-angle DIP Terminals	Plugs with Straight DIP Terminals	Sockets with Straight DIP Terminals
Appearance				

### High-density

Model	XM4K	XM4L		XM4Z
Type	Plugs with Right-angle DIP Terminals	Sockets with Right-angle DIP Terminals	Sockets with Straight DIP Terminals	Anchor #2 or #3
Appearance				

### ■ Ratings and Characteristics

Rated current	3 A (at 20°C)
Rated voltage	300 VAC
Contact resistance	20 mΩ max. (at 20 mV, 100 mA max.)
Insulation resistance	1,000 MΩ min. (at 500 VDC for 1 minute)
Dielectric strength	1,000 VAC for 1 min. (leakage current: 1 mA max.)
Insertion Durability	100 times
Ambient operating temperature	-25°C to 105°C (with no icing at low temperature)

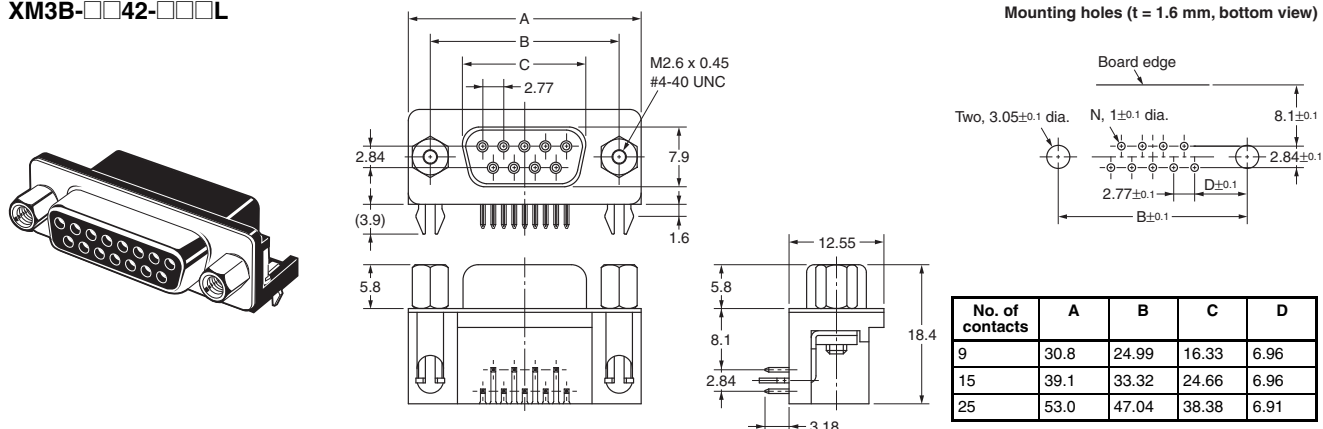
### ■ Materials and Finish

Housing	Fiber-glass reinforced PBT resin (UL94V-0)/black	
Socket Contact and terminal	Phosphor Bronze. Nickel base, flash gold plated	
Plug Contact and terminal	Brass. Nickel base, flash gold plated	
Shell	Steel. Nickel plated	
Anchors	Steel. Nickel plated	
Locking Pin Grounding Fixture	Straight	Brass. Nickel plated
	Right-angle	Brass. Tin plated

# XM3B Sockets with Right-angle DIP Terminals

## Dimensions

XM3B-□□42-□□□L



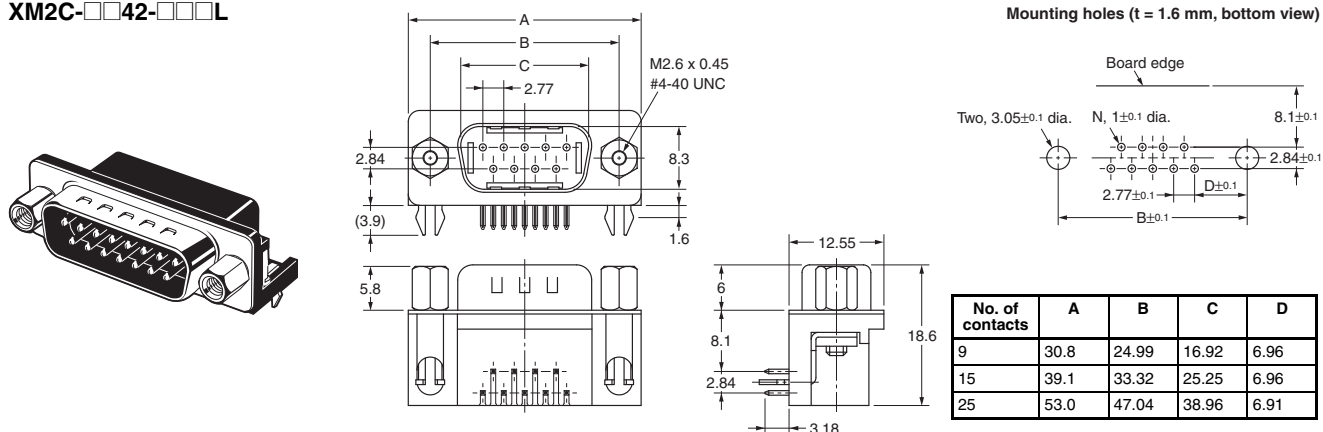
## Ordering Information

Accessories	No Anchors	Anchor 2 (XM4Z-0011) M2.6 x 0.45	Anchor 2 (XM4Z-0013) #4-40 UNC
No. of contacts			
9	XM3B-0942-502L	XM3B-0942-112L	XM3B-0942-132L
15	XM3B-1542-502L	XM3B-1542-112L	XM3B-1542-132L
25	XM3B-2542-502L	XM3B-2542-112L	XM3B-2542-132L

# XM2C Plugs with Right-angle DIP Terminals

## Dimensions

XM2C-□□42-□□□L



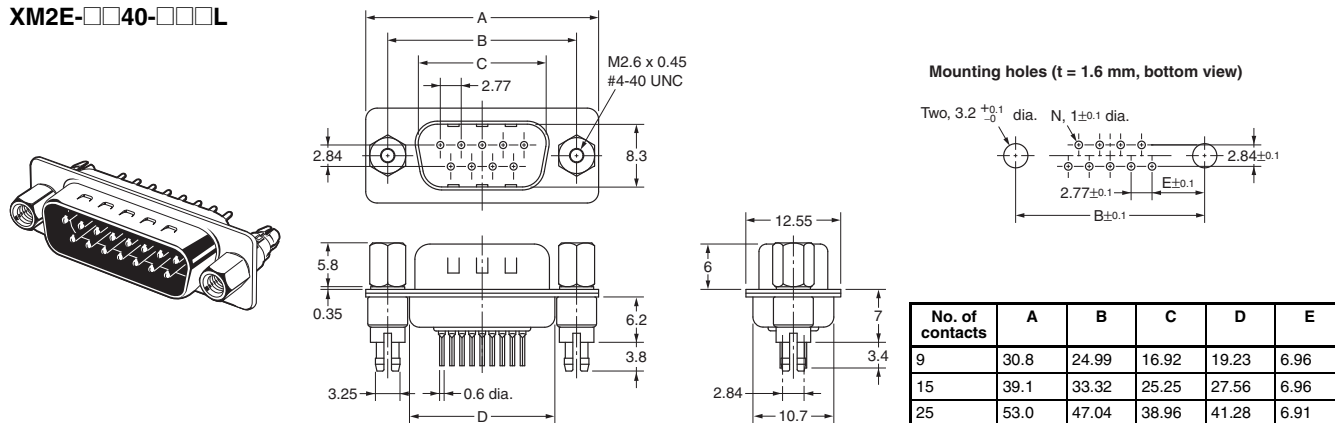
## Ordering Information

Accessories	No Anchors	Anchor 2 (XM4Z-0011) M2.6 x 0.45	Anchor 2 (XM4Z-0013) #4-40 UNC
No. of contacts			
9	XM2C-0942-502L	XM2C-0942-112L	XM2C-0942-132L
15	XM2C-1542-502L	XM2C-1542-112L	XM2C-1542-132L
25	XM2C-2542-502L	XM2C-2542-112L	XM2C-2542-132L

# XM2E Plugs with Straight DIP Terminals

## Dimensions

XM2E-□□40-□□□L



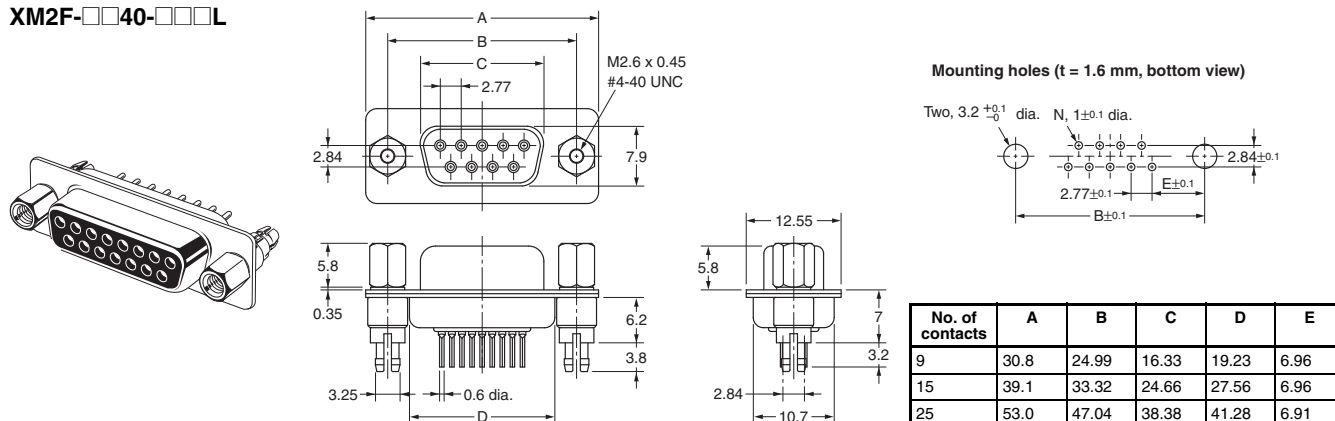
## Ordering Information

Accessories	No Anchors Without ground pins	No Anchors	Anchor 2 (XM4Z-1011) M2.6 x 0.45	Anchor 2 (XM4Z-1013) #4-40 UNC
No. of contacts				
9	XM2E-0940-L	XM2E-0940-502L	XM2E-0940-112L	XM2E-0940-132L
15	XM2E-1540-L	XM2E-1540-502L	XM2E-1540-112L	XM2E-1540-132L
25	XM2E-2540-L	XM2E-2540-502L	XM2E-2540-112L	XM2E-2540-132L

# XM2F Sockets with Straight DIP Terminals

## Dimensions

XM2F-□□40-□□□L



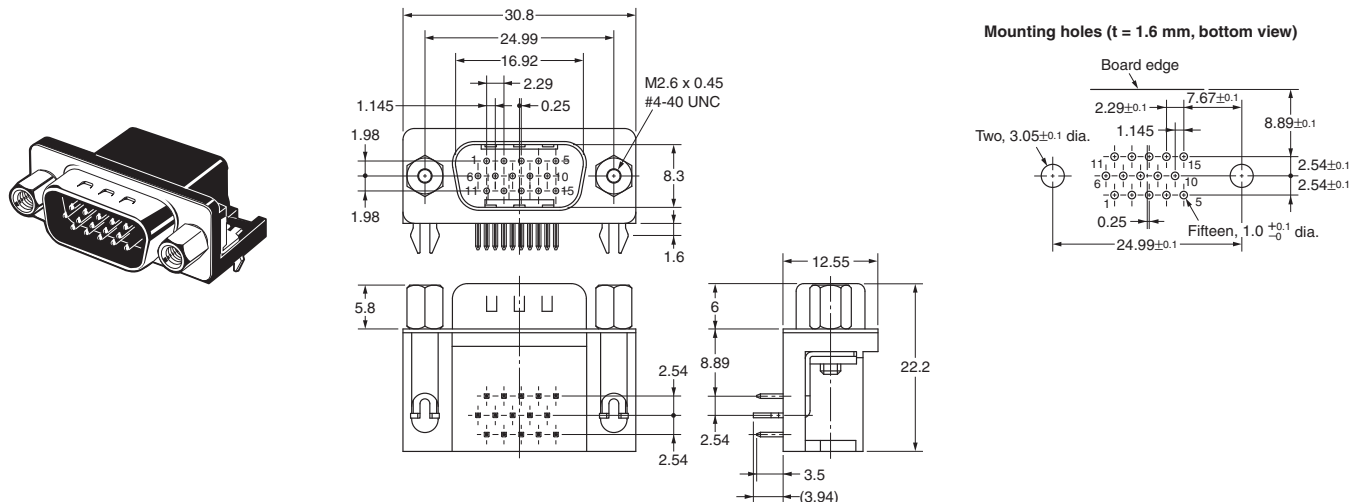
## Ordering Information

Accessories	No Anchors Without ground pins	No Anchors	Anchor 2 (XM4Z-1011) M2.6 x 0.45	Anchor 2 (XM4Z-1013) #4-40 UNC
No. of contacts				
9	XM2F-0940-L	XM2F-0940-502L	XM2F-0940-112L	XM2F-0940-132L
15	XM2F-1540-L	XM2F-1540-502L	XM2F-1540-112L	XM2F-1540-132L
25	XM2F-2540-L	XM2F-2540-502L	XM2F-2540-112L	XM2F-2540-132L

# XM4K High-density Plugs with Right-angle DIP Terminals

## Dimensions

XM4K-1542-□□□



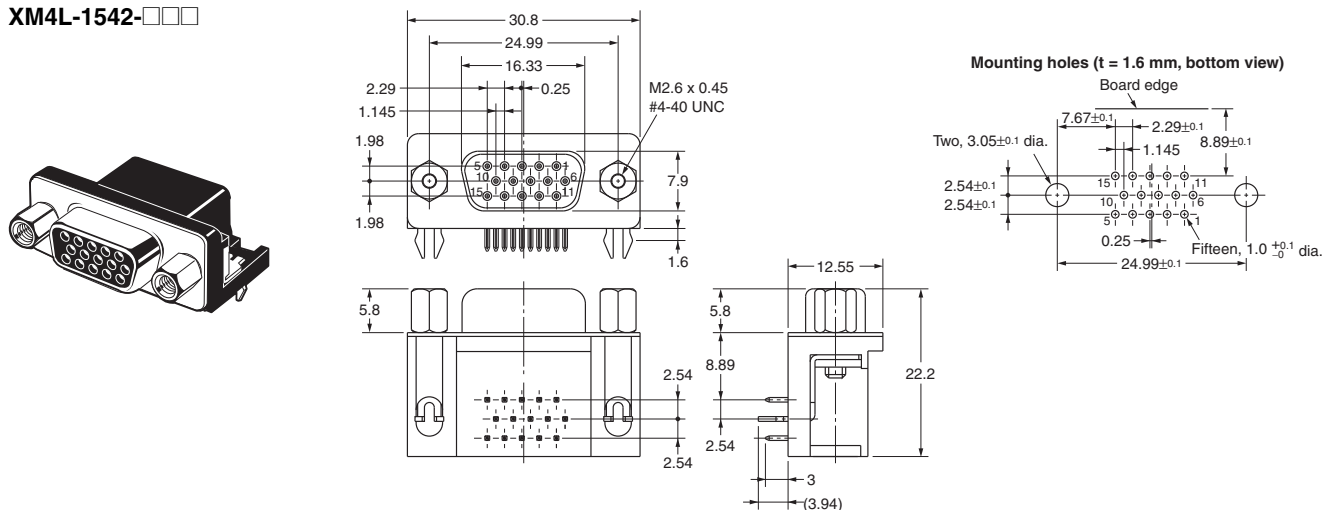
## Ordering Information

Accessories	No Anchors	Anchor 2 (XM4Z-0011) M2.6 x 0.45	Anchor 2 (XM4Z-0013) #4-40 UNC
No. of contacts			
15	XM4K-1542-502	XM4K-1542-112	XM4K-1542-132

# XM4L High-Density Sockets with Right-angle DIP Terminals

## Dimensions

XM4L-1542-□□□



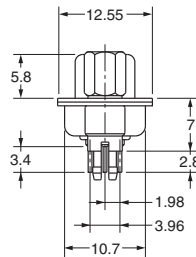
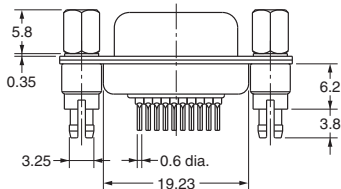
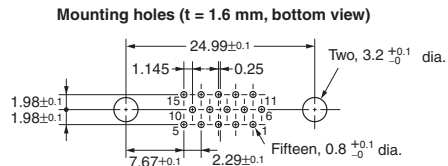
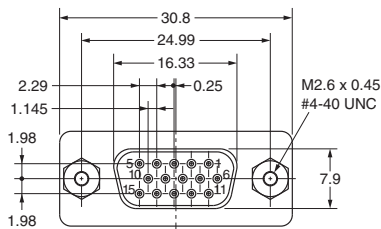
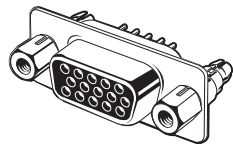
## Ordering Information

Accessories	No Anchors	Anchor 2 (XM4Z-0011) M2.6 x 0.45	Anchor 2 (XM4Z-0013) #4-40 UNC
No. of contacts			
15	XM4L-1542-502	XM4L-1542-112	XM4L-1542-132

# XM4L High-Density Sockets with Straight DIP Terminals

## Dimensions

XM4L-1542-□□□



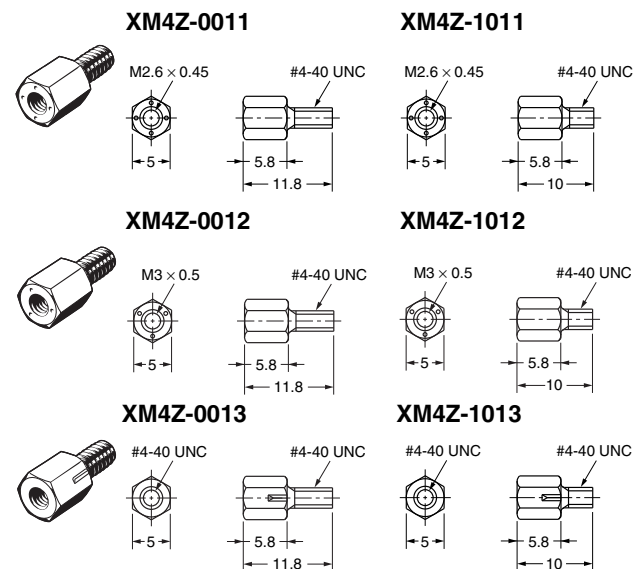
## Ordering Information

Accessories	No Anchors	Anchor 2 (XM4Z-1011) M2.6 x 0.45	Anchor 2 (XM4Z-1013) #4-40 UNC
No. of contacts			
15	XM4L-1541-502	XM4L-1541-112	XM4L-1541-132

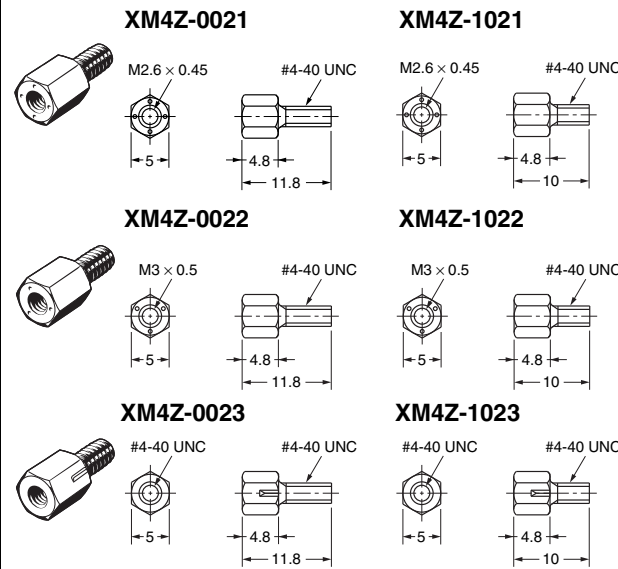
# XM4Z - Anchors

## Dimensions

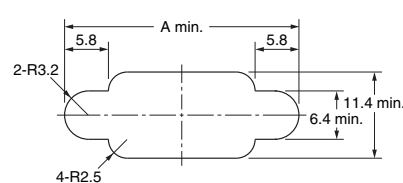
### Anchor 2



### Anchor 3



### Not Panel Mounted (Using Anchor 2)



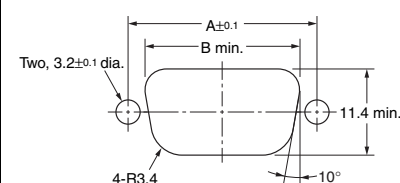
Dimensions

No. of contacts	A
9 (See note.)	31.0
15	39.4
25	53.3

- Note: 1.** Two Anchors are required per Connector.  
**2.** Applicable panel thickness is less than 1.2 mm.

**Note:** The XM4K and XM4L use 9-contact dimensions.

### Panel Mounted (Using Anchor 3 or M3 Screws)



Dimensions

No. of contacts	A	B
9 (See note.)	24.99	20.5
15	33.32	28.8
25	47.04	42.5

- Note: 1.** Two Anchors are required per Connector.  
**2.** Applicable panel thickness is less than 1.2 mm.

**Note:** The XM4K and XM4L use 9-contact dimensions.

**Note:** 2 anchors are necessary per connector.

## Ordering Information

### Anchor 2 (Screw Head Length: 5.8 mm)

Type	For right-angle DIP terminals			For straight DIP terminals		
Appearance						
Lock screw	M2.6 × 0.45	M3 × 0.5	#4-40 UNC	M2.6 × 0.45	M3 × 0.5	#4-40 UNC
Model	XM4Z-0011	XM4Z-0012	XM4Z-0013	XM4Z-1011	XM4Z-1012	XM4Z-1013

### Anchor 3 (Screw Head Length: 4.8 mm)

Type	For right-angle DIP terminals			For straight DIP terminals		
Appearance						
Lock screw	M2.6 × 0.45	M3 × 0.5	#4-40 UNC	M2.6 × 0.45	M3 × 0.5	#4-40 UNC
Model	XM4Z-0021	XM4Z-0022	XM4Z-0023	XM4Z-1021	XM4Z-1022	XM4Z-1023

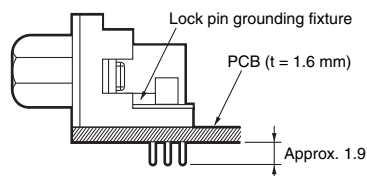
# Precautions

## ■ Correct Use

### Grounding (Lock Pin Grounding Fixture)

To ground, provide copper foil around the Connector Attachment hole on the board, assemble the connector and grounding fixture, and dip in solder as shown below.

Insert the connector into the PCB and then simultaneously dip-solder the connector terminals and lock pin to the board.



### Tightening Torque of Anchor and Grounding Fixture

If the anchor is secured to the connector, be sure to tighten it to a torque of 0.49 N·m.

Also, use a proper size tool to do this work.

### Soldering - Automated Soldering Conditions (Jet Flow)

1. Soldering temperature: 250 ±5°C
2. Continuous soldering time: Within 5 s

### Combination of hexagonal anchors for each connector (in post installation)

Type	Model	Without panel insertion	With panel insertion	Commercially available nut
Dip L type socket	XM4L-1542-502	XM4Z-001□	XM4Z-002□	Not necessary
	XM3B-□□42-502L			
Dip L type plug	XM4K-1542-502	XM4Z-001□	XM4Z-002□	Not necessary
	XM2C-□□42-502L			
Dip straight socket	XM4L-1541-502	XM4Z-101□	XM4Z-102□	Not necessary
	XM2F-□□40-L			Necessary
	XM2F-□□40-502L			Not necessary
Dip straight plug	XM2E-□□40-L	XM4Z-101□	XM4Z-102□	Necessary
	XM2E-□□40-502L			Not necessary

All sales are subject to Omron Electronic Components LLC standard terms and conditions of sale, which can be found at [http://www.components.omron.com/components/web/webfiles.nsf/sales\\_terms.html](http://www.components.omron.com/components/web/webfiles.nsf/sales_terms.html)

**ALL DIMENSIONS SHOWN ARE IN MILLIMETERS.**  
To convert millimeters into inches, multiply by 0.03937. To convert grams into ounces, multiply by 0.03527.

---

**OMRON**<sup>®</sup>

**OMRON ELECTRONIC  
COMPONENTS LLC**

55 E. Commerce Drive, Suite B  
Schaumburg, IL 60173

**847-882-2288**

**OMRON ON-LINE**

Global - <http://www.omron.com>

USA - <http://www.components.omron.com>

Cat. No. G060-E-1

12/12

Specifications subject to change without notice

Printed in USA