

Type 141 Series Auto Reset Circuit Breaker Automotive Type I High Current - Waterproof



www.optifuse.com

(619) 593-5050

Specifications:

Voltage: 42 VDC Maximum

Amperage: 25A, 30A, 40A, 50A, 60A, 70A, 80A, 90A, 100A,
120A, 135A, 140A, 150A

Interrupt Rating: 3000A @ 30VDC

IP Rating: IP67

Frame Material: Thermoset Plastic, UL rated 94-V0

Mounting Torque: 40in-lb Max.

Stud Torque: 50in-lb Max.

ABYCE-11 compliant

Designed to meet: SAE J1625; SAE J1171 (Ignition Protected)

Part number format

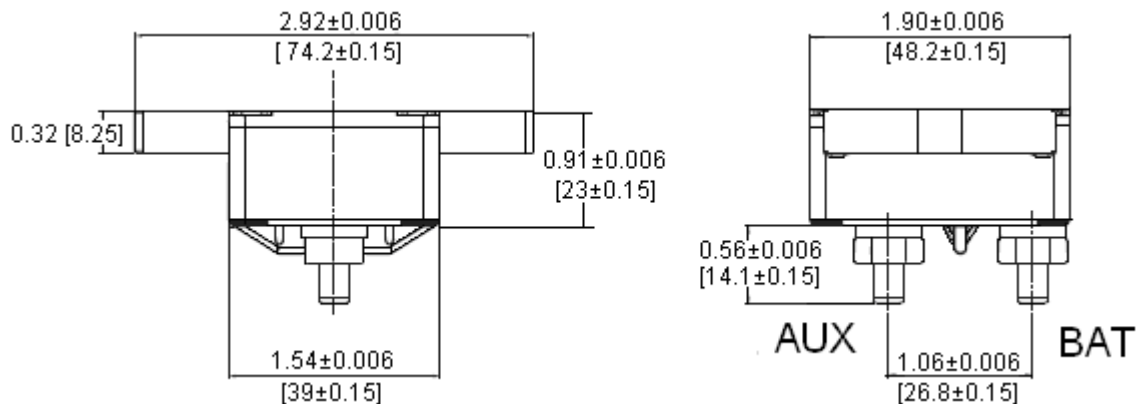
141xxx

Where xxx = Amperage

025 through 150



Mechanical Dimensions: Inches [mm]



Stud size: 1/4", 28 thread per inch

Warning:



-Operation beyond the specified maximum ratings or improper use may result in damage and possible electrical arcing and/or flame.

-Device are intended for occasional overcurrent protection. Application for repeated overcurrent condition and/or prolonged trip are not anticipated.

-Avoid contact of device with chemical solvent. Prolonged contact will damage the device performance.

Note: All specifications subject to change without notice.

Rev C 10/2016 - Page: 1/2
Code B01-01H

**Type 141 Series
Auto Reset Circuit Breaker
Automotive Type I
High Current - Waterproof**



www.optifuse.com (619) 593-5050

Time Characteristics:		
% of Rated Current	Min Hold Time	Max Hold Time
100%	No Trip	
135%		30m
200%	12s	45s
300%	3.5s	15s

