

Type 353 Series Manual Reset Circuit Breaker Automotive Type III -Waterproof Heavy Duty High Amp 3/8" Stud – Extended Body



www.optifuse.com (619) 593-5050

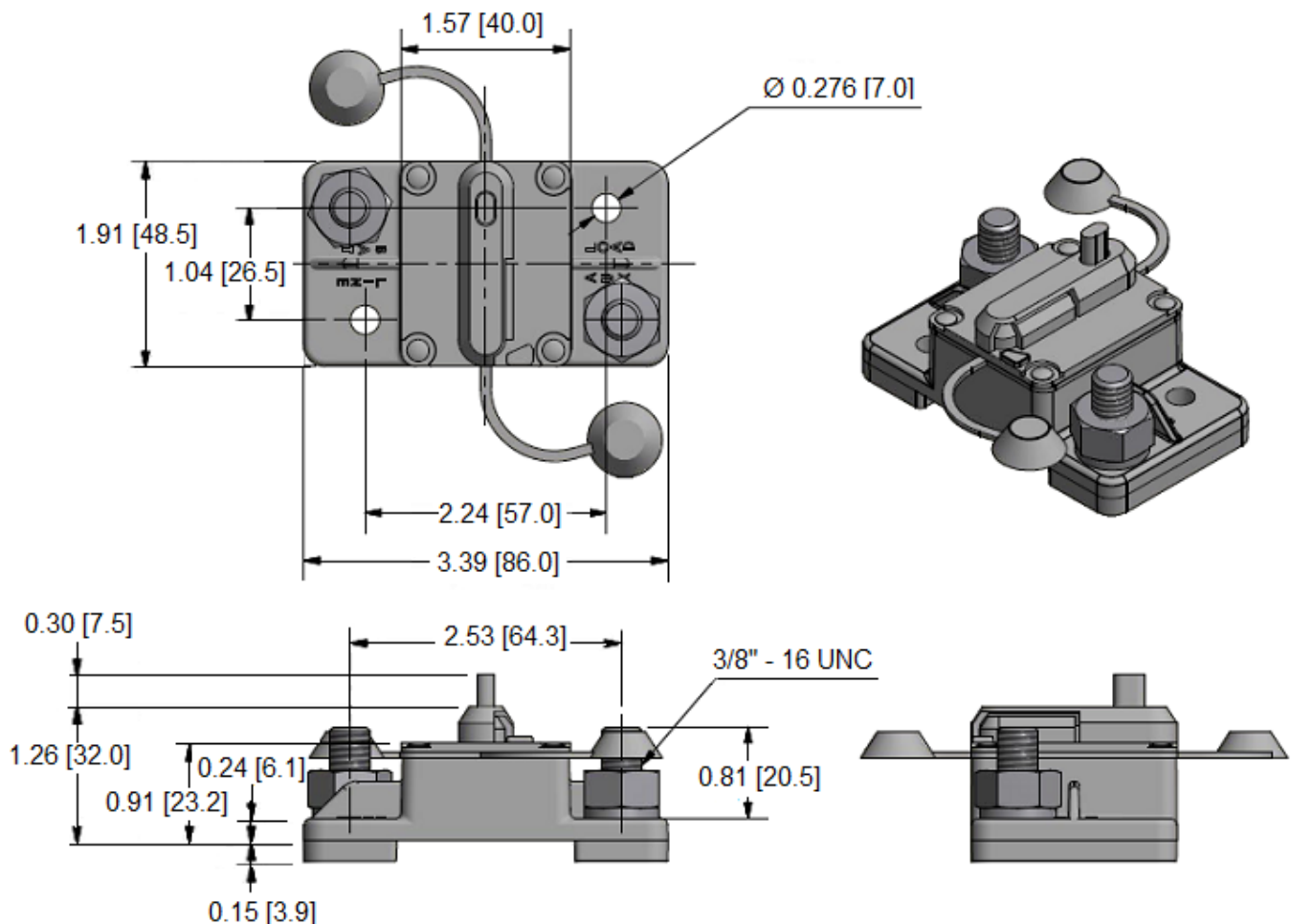
Specifications:

- Voltage:** 48 VDC Maximum
- Amperage:** 25A, 30A, 40A, 50A, 60A, 70A, 80A, 90A, 100A, 120A, 135A, 140A, 150A, 180A, 200A, 250A
- Interrupting Rating:** 3000A @ 30VDC (25A~150A), 1500A @ 30VDC (180A~250A)
- IP Rating:** IP67
- Material:**
 - Frame: Thermoset Plastic, UL rated 94-V0
 - Stud Insulators: EPDM plastic
- Mounting Torque:** 40in-lb Max.
- Stud Torque:** 50in-lb Max.
- ABYCE-11 compliant**
- Designed to meet:** SAE J1625; SAE J1171 (Ignition Protected)

Part number format
353xxx

Where xxx = Amperage
025 through 250

Mechanical Dimensions: Inches [mm]



Note: All specifications subject to change without notice.

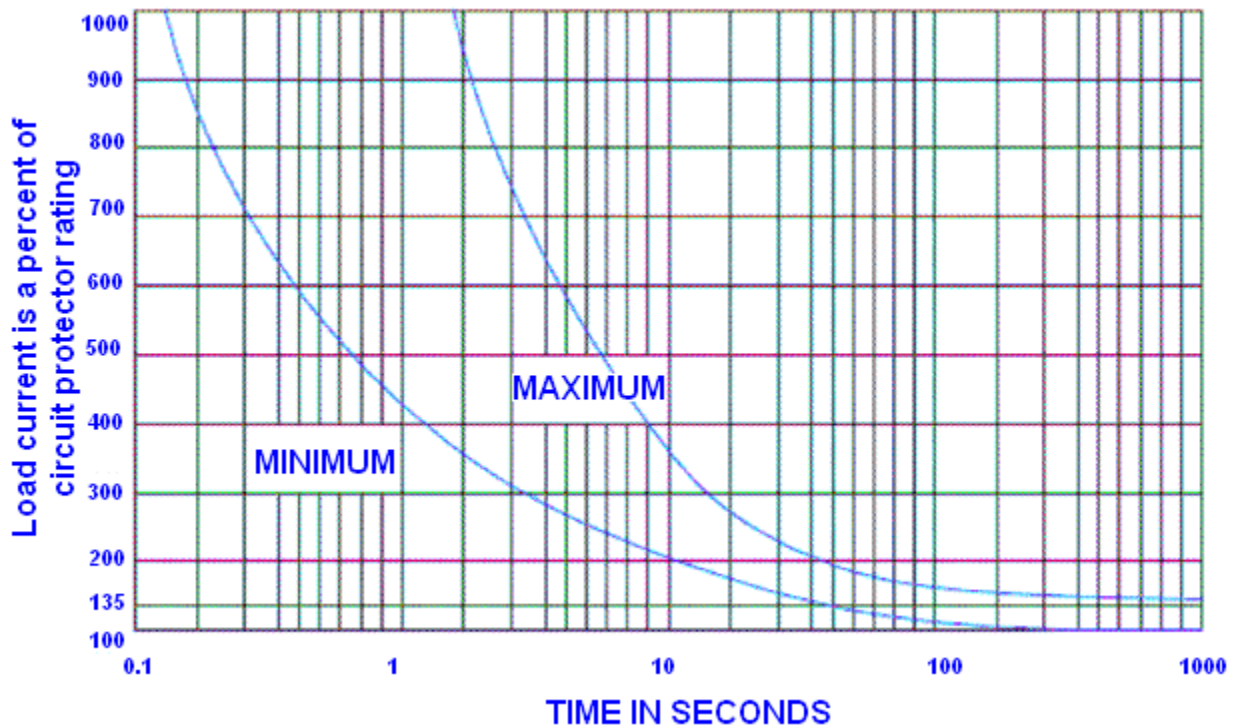
Rev B 08/2017 - Page: 1/2
Code B01-01H


**Type 353 Series
Manual Reset Circuit Breaker
Automotive Type III -Waterproof
Heavy Duty High Amp
3/8” Stud – Extended Body**



www.optifuse.com (619) 593-5050

Time Characteristics:		
% of Rated Current	Min Hold Time	Max Hold Time
100%	No Trip	
135%		30m
200%	12s	45s
300%	3.5s	15s



	<p>Warning: -Operation beyond the specified maximum ratings or improper use may result in damage and possible electrical arcing and/or flame.</p>
	<p>-Device are intended for occasional overcurrent protection. Application for repeated overcurrent condition and/or prolonged trip are not anticipated.</p> <p>-Avoid contact of device with chemical solvent. Prolonged contact will damage the device performance.</p>