

Type ANX80

Automotive Blade Fuse

Maxi Size



www.optifuse.com (619) 593-5050

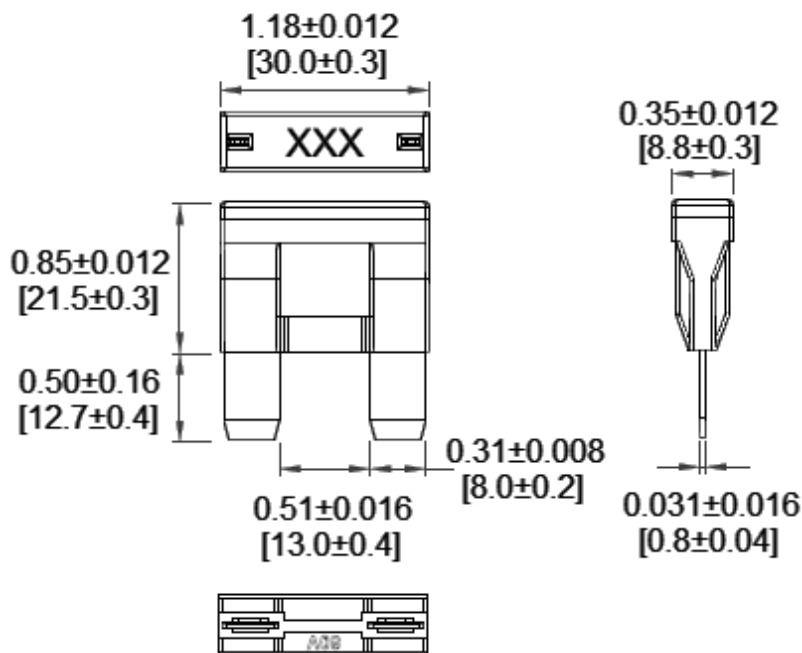
Specifications:

- **Voltage:** 80VDC
- **Amperage:** 20A, 25A, 30A, 35A, 40A, 50A, 60A
- **Material:** Cover: Polycarbonate, UL94V-0
 Body – Nylon 66 with 25% Fiber Glass, UL94V-0
 Metal – Copper Alloy, gal. Sn
 Element – Zinc, Sn plated
- **Interrupt Rating** – 1000A @ 80 VDC
- **Standards:** According to SAE J1888

Time Characteristics		
% of Rated Current	Min Hold Time	Max Hold Time
100%	100h	
135%	60s	3600s
200%	2s	60s
350%	200ms	7s
600%	400ms	1s

Part Number	Amperage	Body Color	Voltage Drop (mV)	Cold Resistance	I ² T
ANX80-20A	20A	Yellow	110	3.65 mΩ	1320
ANX80-25A	25A	Gray	110	2.90 mΩ	2188
ANX80-30A	30A	Green	100	2.20 mΩ	3330
ANX80-35A	35A	Brown	100	1.85 mΩ	4533
ANX80-40A	40A	Orange	90	1.60 mΩ	6240
ANX80-50A	50A	Red	90	1.17 mΩ	10000
ANX80-60A	60A	Blue	85	1.05 mΩ	14400

Mechanical Dimensions: Inches [mm]



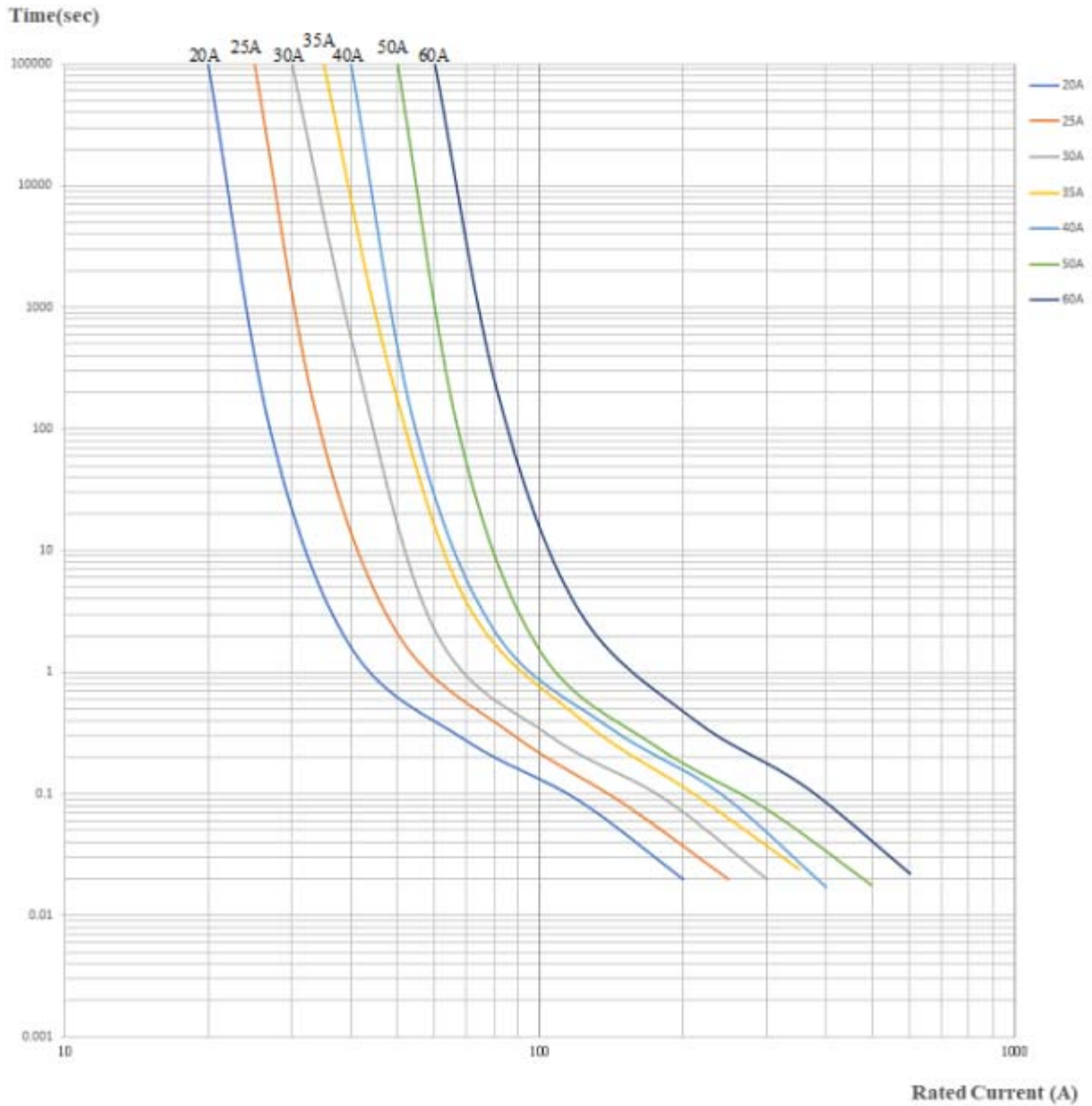
Note: All specifications subject to change without notice.

Type ANX80 Automotive Blade Fuse Maxi Size



www.optifuse.com (619) 593-5050

Time Current Curve Graph



Warning:



- Operation beyond the specified maximum ratings or improper use may result in damage and possible electrical arcing and/or flame.
- Avoid contact of device with chemical solvent. Prolonged contact may damage the device performance.