

# Type BLR-906-G

## Fuse Block

### 6 Pole - Regular, ATC/ATO Auto Blade

### With 6-Position Grounding Block



www.optifuse.com (619) 593-5050

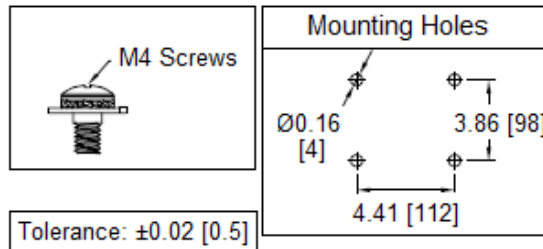
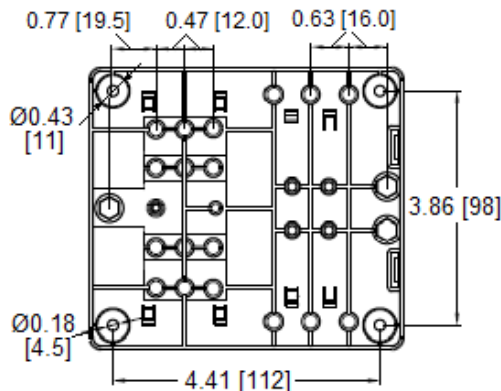
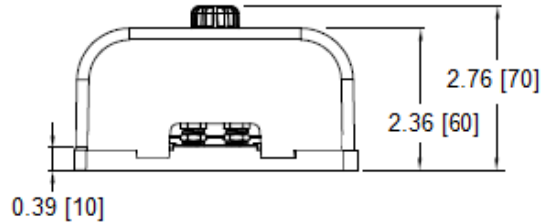
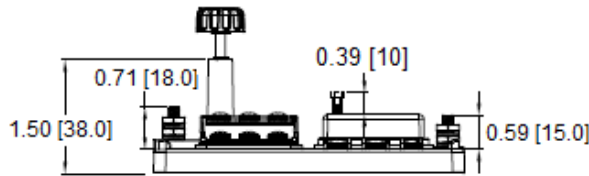
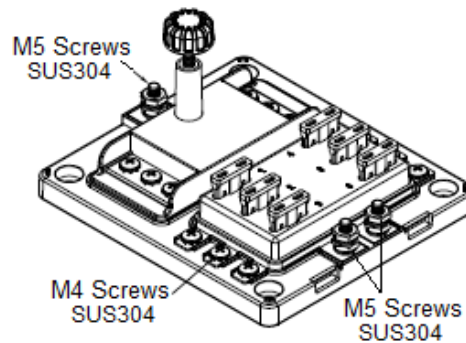
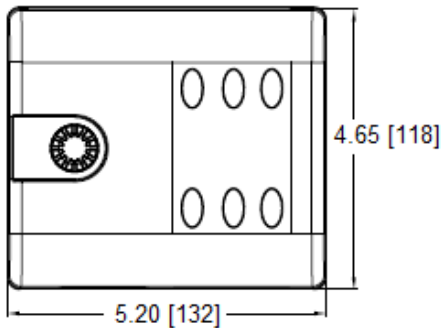
#### Specifications:

- Max Voltage:** 32VDC
- Max Current Rating:** 30A per Circuit - 100A Max
- Fuse Type:** Regular, ATO / ATC, Auto Blade (APR / ANR series)  
(Fuses or Circuit Breakers)
- Mounting:** 4 mounting holes, 4.5mm diameter
- Indicating LED – Red**
- Temperature Rating:** -20° C ~ +85° C

#### Material:

- Base:** PBT, Black
- Cover:** PC, Clear
- Terminals:** Copper

#### Mechanical Dimensions: Inches [mm]



#### Warning:



-Operation beyond the specified maximum ratings or improper use may result in damage and possible electrical arcing and/or flame.

-Avoid contact of device with chemical solvent. Prolonged contact may damage the device performance.