

# Type LPS-02 In-Line Fuse Holder Low Profile Mini Auto Blade Fuses Splashproof Type



www.optifuse.com (619) 593-5050

**Ratings:**

**Fuse Type:** Low Profile Miniature Auto Blade - APSs, ANSs  
**Electrical Rating:** 58VDC  
**Body:** PVC  
**Contacts:** Phosphor Bronze  
**Cap:** Water Resistant Type  
**IP Rating:** IP65  
**Wire Size:** #12 ~ 20 AWG  
**Wire Color:** Red  
**Body Color:** Black  
**Wire Length:** 6 inches; UL 1015 105°C  
 (Other wire lengths or colors available)

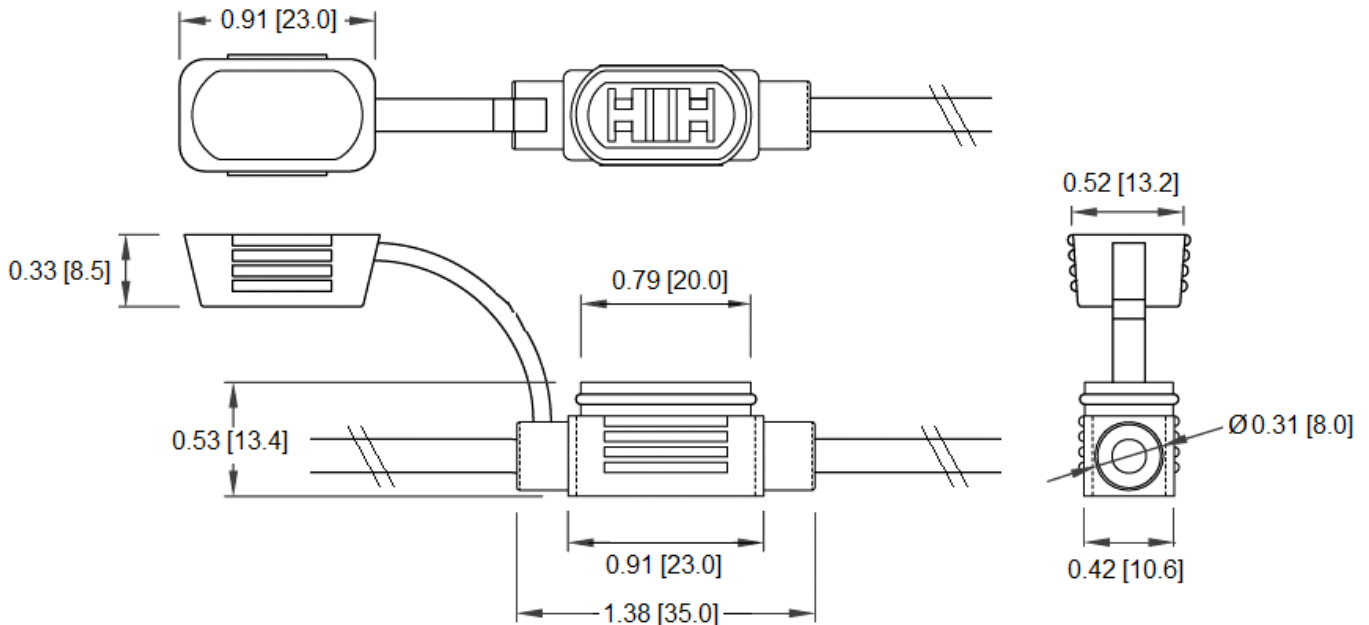
**Part number format**

**LPS-02B-##R**

Where ## = Wire Gauge

Wire Gauge	Max. Amperage
#12	30A
#14	20A
#16	15A
#18	10A
#20	7.5A

**Mechanical Dimensions: Inches [mm]**



<p><b>Warning:</b></p>	<ul style="list-style-type: none"> <li>-Operation beyond the specified maximum ratings or improper use may result in damage and possible electrical arcing and/or flame.</li> <li>-Avoid contact of device with chemical solvent. Prolonged contact may damage the device performance.</li> <li>-Not designed for prolonged liquid exposure or submersible applications.</li> </ul>
------------------------	---