

Type LPX-02

In-Line Fuse Holder

Maxi Automotive Blade Fuses

Splashproof Cap, **Ignition Protected**



www.optifuse.com (619) 593-5050

Ratings:

Fuse Type: Maxi Automotive Blade - APXs, ANXs

Electrical Rating: 58VDC

Ambient/Operating Temperature: -40 °C to +85 °C

Body: PVC

Contacts: Brass

Cap: Splashproof Cap

IP Rating: IP65

Ignition Protected

Standard Wire Sizes: #6 ~ #8 AWG

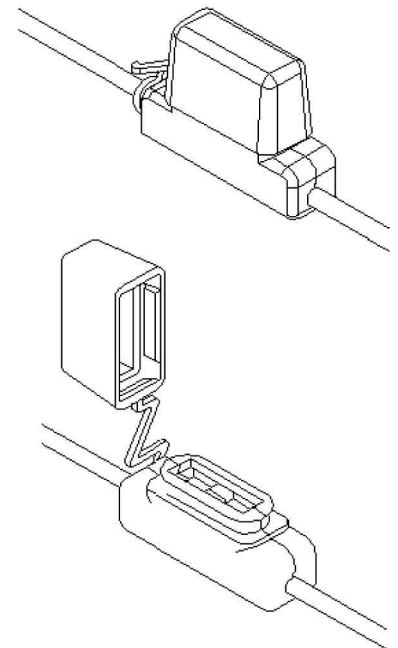
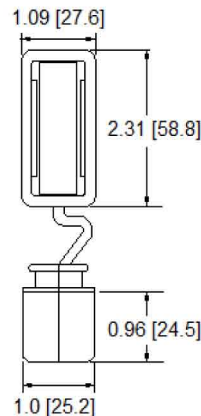
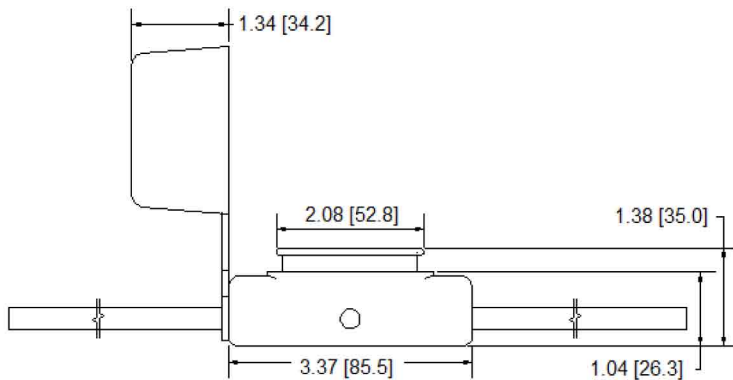
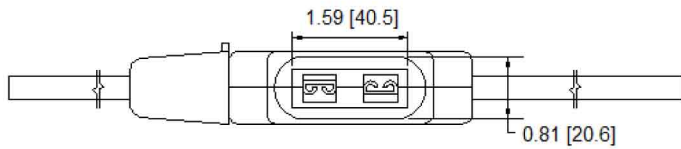
Standard Wire Colors: See table

Standard Body colors: Black

Standard Wire Length: 5 inches

Available in various wire gauges and lengths, and body and wire colors. Contact factory for those not listed above.

Mechanical Dimensions: Inches [mm]



Part number format

LPX-02B-##Z

where ## = Wire gauge

Z = Wire color (R or B)

Standard Colors for Wire Gauges		
AWG	Standard Wire Color	Max Amperage
#6	Red	80A
#8	Black	60A

Warning:



- Operation beyond the specified maximum ratings or improper use may result in damage and possible electrical arcing and/or flame.
- Avoid contact of device with chemical solvent. Prolonged contact may damage the device performance.
- Not designed for prolonged liquid exposure or submersible applications.