

Type MRCBP4-PL Manual Reset Circuit Breaker Automotive Type III Automotive Blade Type



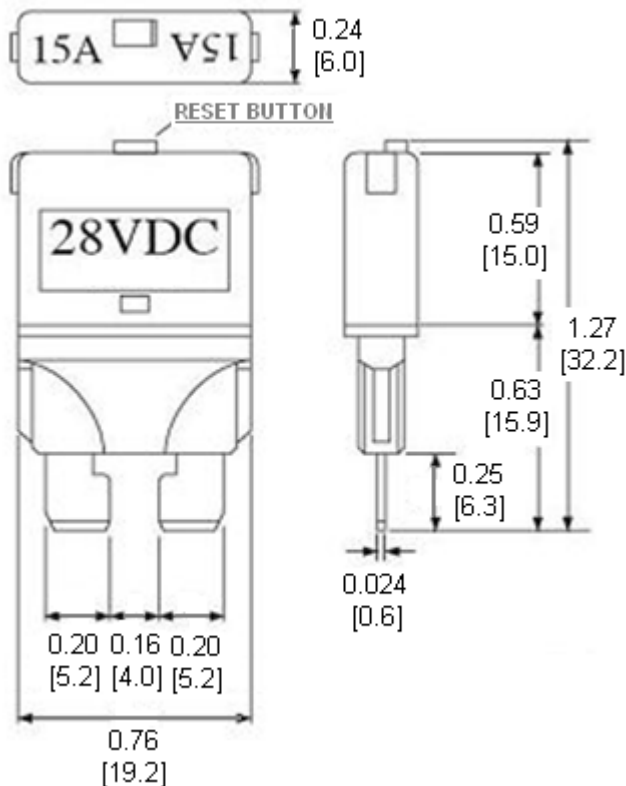
www.optifuse.com (619) 593-5050

Specifications:

Manual Reset Type Circuit Breaker – Regular Blade Style
 Voltage: Up to 28VDC
 Amperage: 5A, 6A, 7.5A, 8A, 10A, 15A, 20A, 25A, 30A
 Interrupt Rating: 2000A @ 28VDC
 Materials: Thermoplastic – (UL Rated 94-V-0)
 Terminals: Tin plated Brass Alloy
 Conforms to American National Standard SAE J553 Type III
 Cover is color coded to Amperage Ratings
 Operating Temperature: -40° C ~ 85° C
 Storage Temperature: -40° C ~ 125° C

Part Number	Amperage	Body Color
MRCBP4-PL-5A	5A	Lt. Brown
MRCBP4-PL-6A	6A	Black
MRCBP4-PL-7.5A	7.5A	Brown
MRCBP4-PL-8A	8A	Brown
MRCBP4-PL-10A	10A	Red
MRCBP4-PL-15A	15A	Blue
MRCBP4-PL-20A	20A	Yellow
MRCBP4-PL-25A	25A	White
MRCBP4-PL-30A	30A	Green

Mechanical Dimensions: Inches [mm]



Warning:



- Operation beyond the specified maximum ratings or improper use may result in damage and possible electrical arcing and/or flame.
- Device are intended for occasional overcurrent protection. Application for repeated overcurrent condition and/or prolonged trip are not anticipated.
- Avoid contact of device with chemical solvent. Prolonged contact will damage the device performance.
- Not intended for submersible water applications.