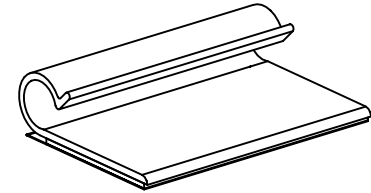
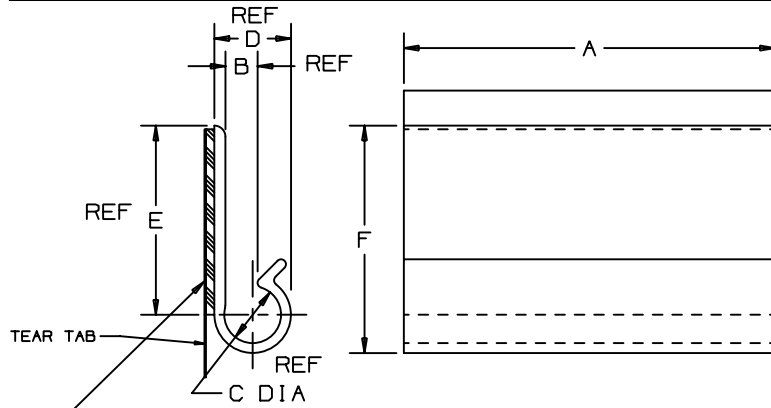


THIS COPY IS PROVIDED ON A RESTRICTED BASIS AND IS NOT TO BE USED IN ANY WAY DETRIMENTAL TO THE INTERESTS OF PANDUIT CORP.

PANDUIT PART NUMBER*	NOMINAL CABLE O.D. in./ (mm)	A in. (mm)	B in. (mm)	C in. (mm)	D in. (mm)	E in. (mm)	F in. (mm)	STATIC LOAD** lbs./ (g)	WEIGHT lbs./ (g) 100 pcs.
AJC12-A	0.125 (3)	1.00 (25.4)	0.08 (2.0)	0.13 (3.3)	0.19 (4.8)	0.77 (19.6)	0.86 (21.8)	0.40 (181)	0.22 (100)
AJC19-A	0.187 (5)	1.25 (31.8)	0.10 (2.5)	0.18 (4.6)	0.26 (6.6)	0.77 (19.6)	0.87 (22.1)	0.50 (227)	0.31 (141)
AJC25-A	0.250 (6)	1.50 (38.1)	0.14 (3.6)	0.23 (5.8)	0.31 (7.9)	0.77 (19.6)	0.97 (24.6)	0.58 (263)	0.60 (272)
AJC31-A	0.312 (8)	1.75 (44.5)	0.18 (4.6)	0.29 (7.4)	0.40 (10.2)	1.03 (26.2)	1.22 (31.0)	0.90 (408)	0.73 (331)
AJC38-A	0.375 (10)	2.00 (50.8)	0.22 (5.6)	0.39 (9.9)	0.50 (12.7)	1.03 (26.2)	1.27 (32.3)	1.0 (454)	1.04 (472)



AJC31-A
ACTUAL SIZE



NO WARRANTY, EXPRESSED OR IMPLIED, IS MADE BY PANDUIT WITH RESPECT TO ADHESIVE BOND PERFORMANCE. AMONG OTHER THINGS, THE CONDITIONS UNDER WHICH THESE MOUNTS MAY BE APPLIED AND/OR THE SURFACE TO WHICH THEY MAY BE APPLIED ARE BEYOND PANDUIT'S CONTROL.

TO APPLY MOUNT

- 1) REMOVE PROTECTIVE LINER.
- 2) PLACE IN DESIRED LOCATION.
- 3) APPLY PRESSURE TO MOUNT.

NOTES:

- *1. SEE CURRENT PRICE SHEET FOR PART NUMBER SUFFIX DESIGNATION FOR PACKAGE SIZE.

ADHESIVE TAPE--PRESSURE SENSITIVE FOAM 0.040 (1.02) THICK WITH RUBBER ADHESIVE AND PROTECTIVE LINER.

**MOUNT IS DESIGNED TO SUPPORT LISTED MAXIMUM STATIC LOAD ON A CLEAN, DRY, SMOOTH, GREASE-FREE SURFACE.

(DIMENSIONS IN PARENTHESES ARE IN METRIC.)

CAD FILENAME/LAYERS G00491BA_PB_AJC-A_02

PANDUIT

CORP. TINLEY PARK, ILLINOIS

AJC-A
ADHESIVE J CLIP

UNLESS OTHERWISE SPECIFIED,
DIMENSIONAL TOLERANCES ARE:
(.X) ±0.1(2.5) (.XXX) ±0.020(1.5)
(.XX) ±0.05(1.3) ANGLES ±5°

UNLESS OTHERWISE SPECIFIED,
ALL DIMENSIONS ARE GIVEN
IN INCHES, THIRD ANGLE PROJECTION.

REV	DATE	BY	CHK	DESCRIPTION	ECN	R	CUST	SUP
2	6/15/01	LGG		ADDED "REF" TO DIM.	GB0491BA	2		
1	5/14/96	SJSU		MOD AJC25 F DIM, STAT LOAD, PART WT., A TOL.	GB0491BA	1		
R	2/16/94	SJSU		REVERSED TEAR TAB & DRAWN TO NEW FORMAT	GB0491BA	R		

DRAWN BY TAW

MAT'L:

GRAY
PVC

SCALE NONE

DRAWING NO.
GB0491BA

DWG
SIZE
A

DATE 2-19-90

CHK'D