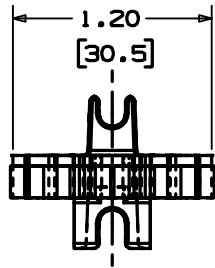
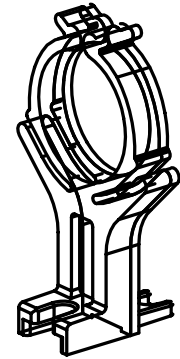
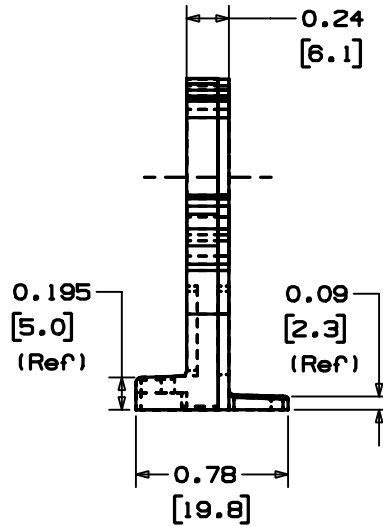
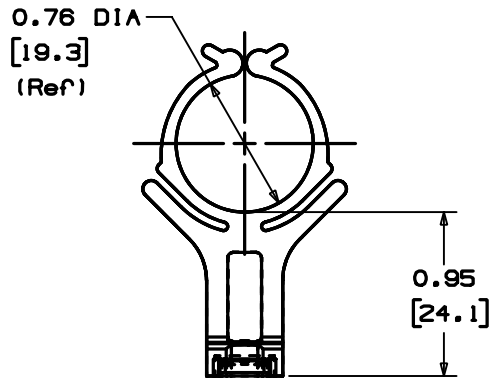


THIS COPY IS PROVIDED ON A RESTRICTED BASIS AND IS NOT TO BE USED IN ANY WAY DETRIMENTAL TO THE INTERESTS OF PANDUIT CORP.




PANDUIT PART NUMBER	MAX. BUNDLE DIA. IN (MM)	REC'M FASTENER	WEIGHT lbs / 100pcs (g)
BR.75-E6	0.75 (19.)	#6 SCREW (M3)	0.86 (392)



NOTES:

- SEE CURRENT PRICE SHEET FOR PART NUMBER SUFFIX DESIGNATION FOR PACKAGE SIZE.
- COLOR: BLACK

DIMENSIONS IN BRACKETS ARE METRIC [ mm ]	
CAD FILENAME/LAYERS G00239HN_PB_BR75_01	
 CORP. TINLEY PARK, ILLINOIS	
BUNDLE RETAINER, BR.75-E6	
UNLESS OTHERWISE SPECIFIED, DIMENSIONAL TOLERANCES ARE: (.X) ±0.05 (1.3) (.XXX) ±0.010 (0.25) (.XX) ±0.02 (0.5) ANGLES ± 5°	UNLESS OTHERWISE SPECIFIED, ALL DIMENSIONS ARE GIVEN IN INCHES, THIRD ANGLE PROJECTION.
DRAWN BY JAD DATE 6/15/01 CHK'D	MAT'L: RUBBER MODIFIED NYLON 6/6 SCALE NONE DRAWING NO. GB0239HN DWG SIZE A

REV	DATE	BY	CHK	DESCRIPTION	ECN	R	CUST	SUP
1	7/21/03	JAD		UPDATE MATERIAL	G80239HN	1		
R	8-15-01	LGG		CHANGED DRAWING FROM SS-6216 (REV R)	G80239HN	R		