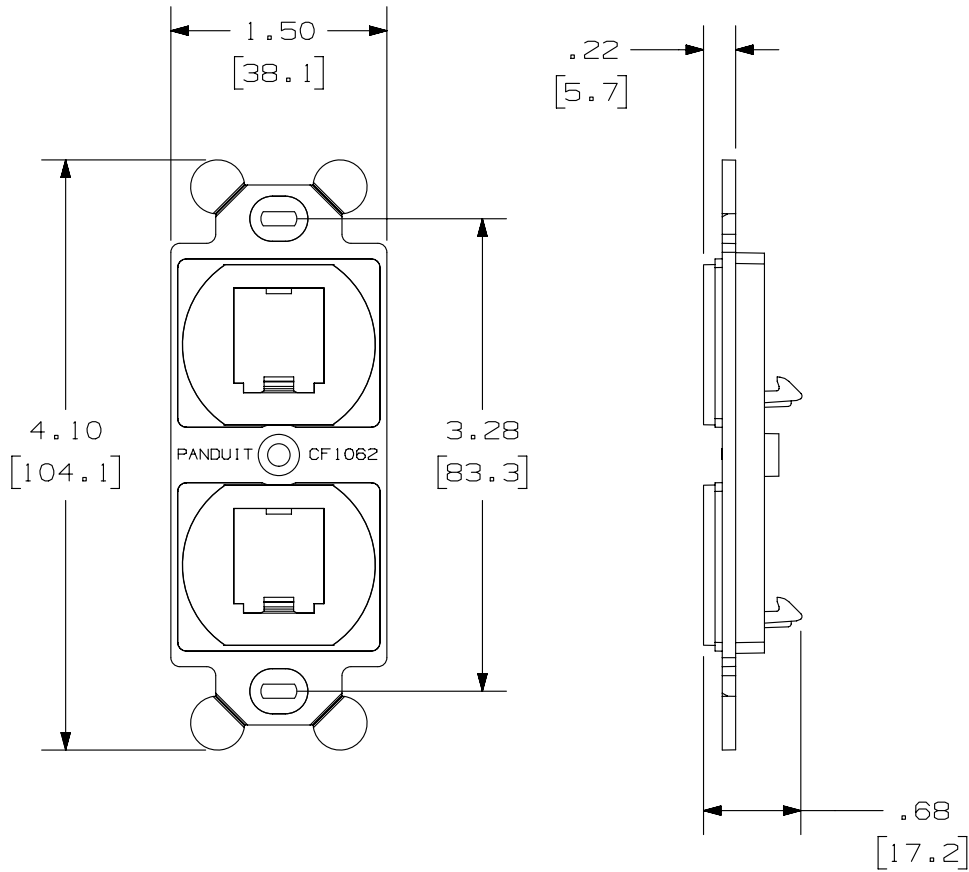


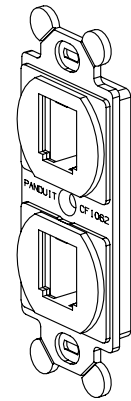
THIS COPY IS PROVIDED ON A RESTRICTED BASIS AND IS NOT TO BE USED IN ANY WAY DETRIMENTAL TO THE INTERESTS OF PANDUIT CORP.



PANDUIT P/N	WEIGHT
CF1062**Y	.25 LB/10 PCS (115.7 g/10 PCS)

NOTES:

- SEE CURRENT CATALOG FOR ADDITIONAL PART NUMBER SUFFIXES TO INDICATE COLOR AND OR PACKAGE QUANTITY.
- SEE CATALOG FOR COMPLETE LIST OF PARTS APPLICABLE FOR USE WITH THIS PART.
- DIMENSIONS IN [] ARE IN METRIC.
- PART INCLUDES:
 - 1- 106 FRAME
 - 2- MOUNTING SCREW



PART NUMBER		CF1062**Y	
TITLE			
MINI-COM 2 POSITION "106" SERIES FRAME			
CUSTOMER DRAWING			
ITEM REVISION NAME		M02479GR/02	
DATASET FILE NAME		M02479GR_DC176/00B	
UNLESS OTHERWISE SPECIFIED, DIMENSIONAL TOLERANCES ARE: IN [mm]		MATERIAL:	
.x ± .1 [2.54]		.xxx ± .005 [.127]	
.xx ± .01 [.25]		ANGLES ± 5 °	
DRAWN BY		DATE	
JSP		4-18-06	
CHK		SCALE	
MJD		NONE	
DRAWING NUMBER:		SHT 1 OF 1	
02479-176		A	

REV	DATE	BY	CHK	APR	DESCRIPTION	ECN
1	3/11/4	JSP	REFR	MMR	A. REVISED DRAWING TITLE BLOCK.	02479-176
R	4-18-06	JSP	MJD	MJD	RELEASED TO PRODUCTION	02479-176

D10100DA/14