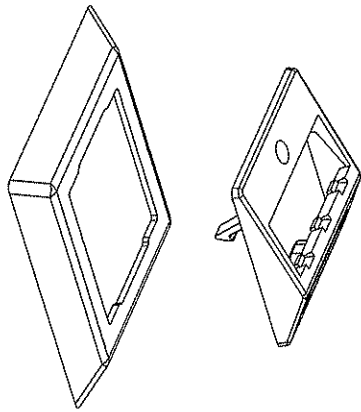
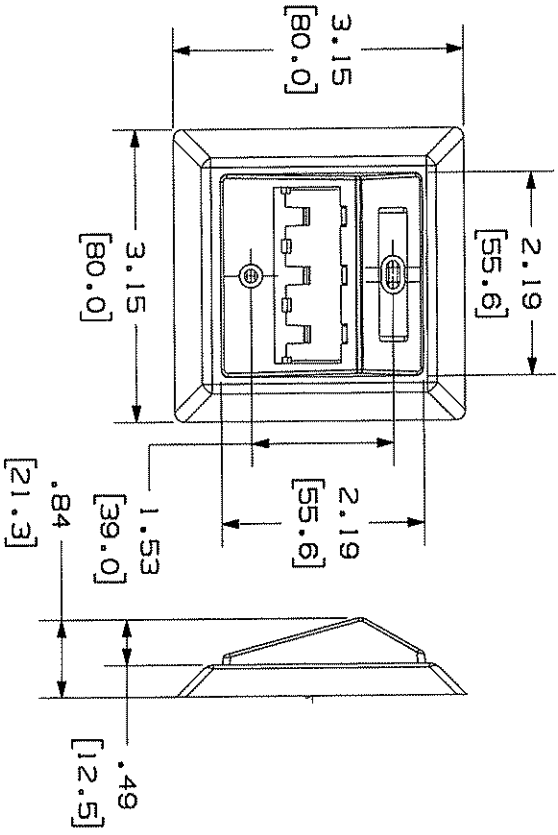


THIS COPY IS PROVIDED ON A RESTRICTED BASIS AND IS NOT TO BE USED IN ANY WAY DETRIMENTAL TO THE INTERESTS OF PANDUIT CORP.

PANDUIT P/N	WEIGHT
CFPE3**Y	1.00 LB/10 PCS. (453.6 g/10 PCS.)

- NOTES:
- SEE CURRENT CATALOG FOR ADDITIONAL PART NUMBER SUFFIXES TO INDICATE COLOR AND OR PACKAGE QUANTITY. SEE CATALOG FOR COMPLETE LIST OF PARTS APPLICABLE FOR USE WITH THIS PART.
 - DIMENSIONS IN () ARE IN METRIC.
 - KIT INCLUDES:
 - 1- METAL MOUNTING PLATE
 - 1- SCREW KIT
 - 1- LABEL/COVER
 - 1- BOX80 BEZEL
 - 3 POSITION SLOPED FACEPLATE



DRAWING FILENAME: M02479F0_DC_00A.PRT
 SIZE: A

MINI-COM 3 POSITION 80mm X 80mm
 SLOPED FACEPLATE KIT
 CUSTOMER DRAWING

PANDUIT™
 TINLEY PARK, ILL. 60477

ALL DIMENSIONS ARE GIVEN IN INCHES. DIMENSIONS IN PARENTHESES ARE METRIC DIMENSIONS. DIMENSIONAL TOLERANCES ARE: (1.XX) ± .01(1.31) ANGLES ± .03(1.81) MATERIAL: ABS

DATE: 7-27-06
 DRAWN BY: JSP

1:1 NUMBER: N/A
 PRODUCT SPEC: N/A
 WORK INSTRUCTION: N/A
 SCALE: NONE
 PART NO.: CFPE3**Y
 DRAWING NO.: 02479-147

REV	DATE	BY	CHK	DESCRIPTION	ECN	R	CUST	SUP	OTH
R	7-27-06	JSP	<i>[Signature]</i>	RELEASED TO PRODUCTION	02479-147	<i>[Signature]</i>	<i>[Signature]</i>		