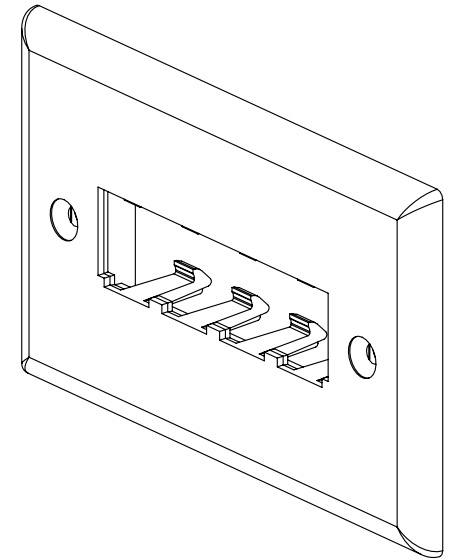
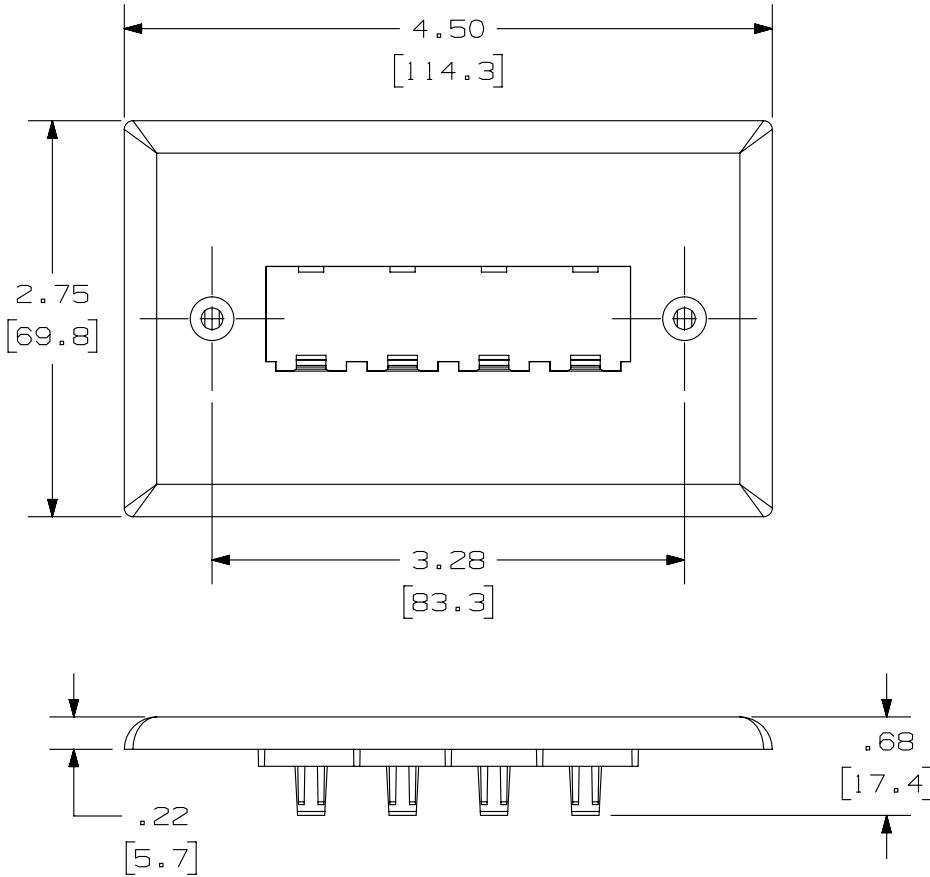


THIS COPY IS PROVIDED ON A RESTRICTED BASIS AND IS NOT TO BE USED IN ANY WAY DETRIMENTAL TO THE INTERESTS OF PANDUIT CORP.

PANDUIT PART NO.	WEIGHT
CFPH4**	.47 LB/10 PCS (214 G/10 PCS)

NOTES:

- SEE CURRENT CATALOG FOR ADDITIONAL PART NUMBER SUFFIXES TO INDICATE COLOR AND OR PACKAGE QUANTITY.
- DIMENSIONS IN [] ARE IN METRIC.
- PART INCLUDES:
1- FACEPLATE
2- MOUNTING SCREWS



PART NUMBER		CFPH4**	
TITLE			
MINI-COM 4 POSITION HORIZONTAL CLASSICE SERIES FACEPLATE			
CUSTOMER DRAWING			
ITEM REVISION NAME		D35544CS/00	
DATASET FILE NAME		D35544CS_DC/00C	
UNLESS OTHERWISE SPECIFIED, DIMENSIONAL TOLERANCES ARE: IN [mm]		MATERIAL:	
.x ± .xx ± .03 [.8]		ABS	
.xxx ± .010 [.3]		DRAWING NUMBER:	
ANGLES ±		35544 - 41	
THIRD ANGLE PROJECTION		SHT 1 OF 1	
DRAWN BY	DATE	CHK	SCALE
RCA	4-3-97	HIW	NONE
REV	DATE	BY	CHK
3	4/14/14	JSP	REFR
APR	DESCRIPTION		ECN
MMR	REVISED AND REDRAWN, PREVIOUS REVISIONS HAVE BEEN OMITTED.		35544-41

D10100DDA/14