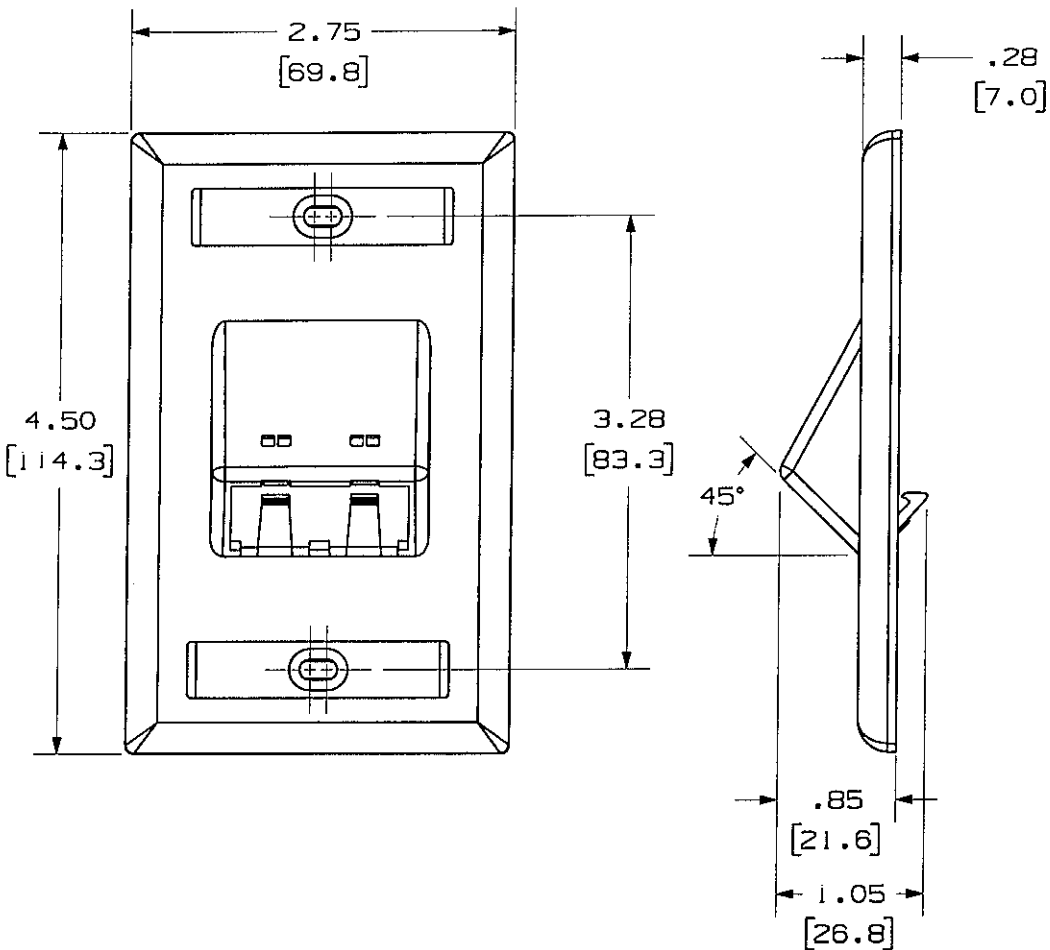


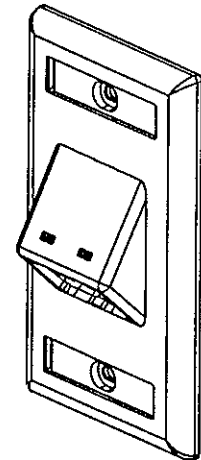
THIS COPY IS PROVIDED ON A RESTRICTED BASIS AND IS NOT TO BE USED IN ANY WAY DETRIMENTAL TO THE INTERESTS OF PANDUIT CORP.



PANDUIT P/N	WEIGHT
CFPSL2**Y	.61 LB/10 PCS. (278.8 G/10 PCS.)

NOTES:

1. SEE CURRENT CATALOG FOR ADDITIONAL PART NUMBER SUFFIXES TO INDICATE COLOR AND OR PACKAGE QUANTITY.
2. SEE CATALOG FOR COMPLETE LIST OF PARTS APPLICABLE FOR USE WITH THIS PART.
3. DIMENSIONS IN [] ARE IN METRIC.
4. PART INCLUDES:
PART INCLUDES:
1- FACEPLATE
2- MOUNTING SCREW
2- LABEL
2- LABEL COVER



NETWORK SYSTEMS
MAY 25 2006
ENGINEERING DEPT

MODEL FILENAME	M00734BE_2POS_VSLOPED_05.PRT	SIZE	A
DRAWING FILENAME	M02479EG_DC113_00A.PRT		

2 POSITION MINI-COM VERTICAL SLOPED
FACEPLATE WITH LABEL
CUSTOMER DRAWING

<p>PANDUIT™ CORP. TINLEY PARK, ILL 60477</p>	I.I. NUMBER	N/A								
	PRODUCT SPEC	N/A								
	WORK INSTRUCTION	N/A								
	SCALE	NONE								
<p>THIRD ANGLE PROJECTION</p>	<p>ALL DIMENSIONS ARE GIVEN IN INCHES, UNLESS OTHERWISE SPECIFIED.</p> <p>DIMENSIONAL TOLERANCES ARE: (.X) ± (.XXX) ± .010(.3) (.XX) ± .031(.8) ANGLES ±</p>	PART NO. CFPSL2**Y								
<p>DRAWN BY JsP</p>	<p>DATE 5-2-06</p>	<p>MATERIAL: ABS</p>								
<p>REV</p>	<p>DATE</p>	<p>BY</p>	<p>CHK</p>	<p>DESCRIPTION</p>	<p>ECN</p>	<p>R</p>	<p>CUST</p>	<p>SUP</p>	<p>OTH</p>	<p>DRAWING NO. 02479-113</p>

R	5-2-06	JsP	MD	RELEASED TO PRODUCTION	02479-113	MD	MD			
---	--------	-----	----	------------------------	-----------	----	----	--	--	--