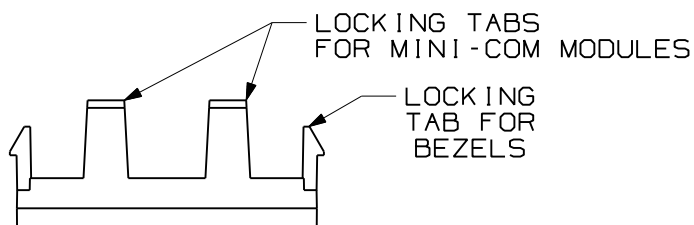


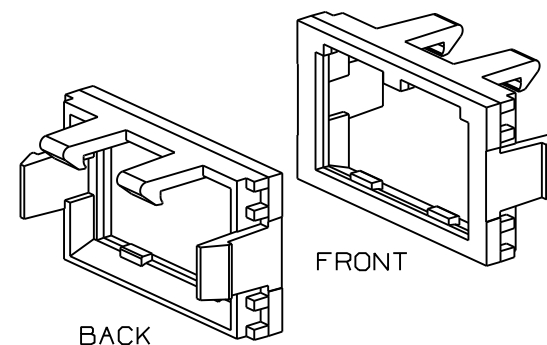
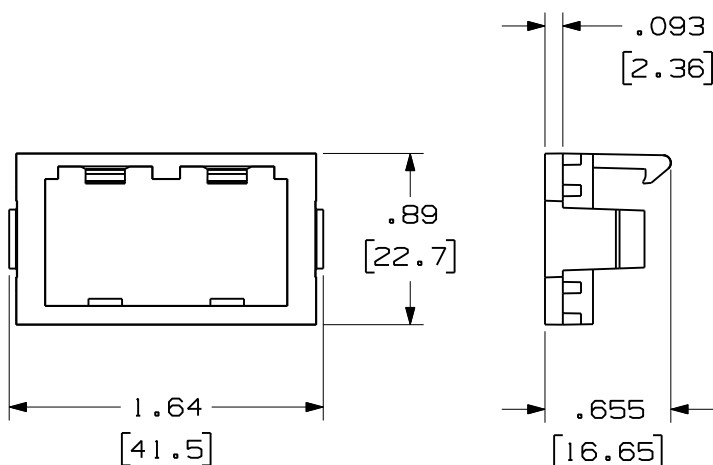
THIS COPY IS PROVIDED ON A RESTRICTED BASIS AND IS NOT TO BE USED IN ANY WAY DETRIMENTAL TO THE INTERESTS OF PANDUIT CORP.

PANDUIT P/N	WEIGHT
CHF2M**-X	.046 LB/10
1APHF2MWH-X	20.7 g/10



NOTES:

1. SEE CURRENT CATALOG FOR ADDITIONAL PART NUMBER SUFFIXES TO INDICATE COLOR AND OR PACKAGE QUANTITY.
2. IS TO BE USED WITH THE MINI-COM BEZELS AND MINI-COM MODULES.
3. DIMENSIONS IN PARENTHESES ARE IN METRIC.



MODEL FILENAME	SIZE
DRAWING FILENAME	A
D35544CC_DC27/00C	

REV	DATE	BY	CHK	DESCRIPTION	ECN	R	CUST	SUP	OTH
2	6-6-11	BJN	JCO	B. ADDED SUPPLEMENTAL P/N 1APHF2MWH-X	35544-27	JCO	JCO		
1	9-11-97	RCA	CEF	A. REV'D DWG TITLE WAS 1/3-TWO POSITION FLAT INSERT.	35544-27	CEF	CEF		
R	1-17-97	RCA	CEF	RELEASED TO PRODUCTION	35544-27	CEF			

 <b>1/3 SIZE FLAT MODULE INSERT</b> CUSTOMER DRAWING	
 TINLEY PARK, IL 60487	
I.I. NUMBER PRODUCT SPEC/ PKG SPEC ASSY METHOD/ TEST METHOD SCALE PART NO. DRAWING NO.	
NONE SEE TABLE 35544-27	
THIRD ANGLE PROJECTION DRAWN BY: RCA DATE: 1-17-97 CHK'D: CEF	ALL DIMENSIONS ARE GIVEN IN INCHES, UNLESS OTHERWISE SPECIFIED. DIMENSIONAL TOLERANCES ARE: (.X) ± (.XXX) ±.010(.3) (.XX) ±.03(.8) ANGLES ± REVIEW DRAWING NUMBERS MAT'L: ABS