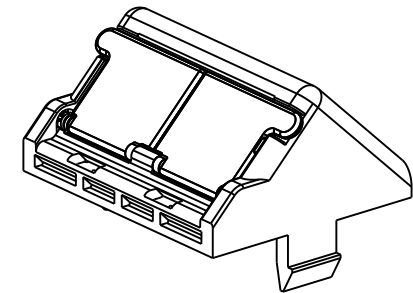
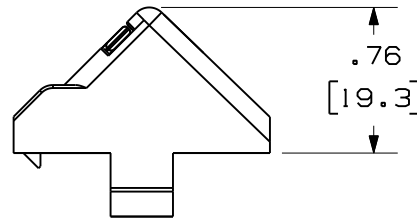
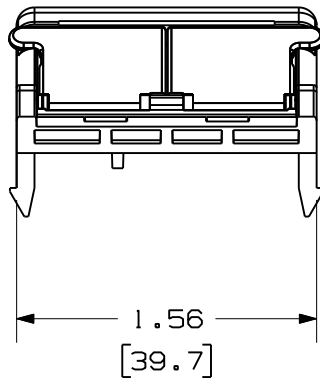
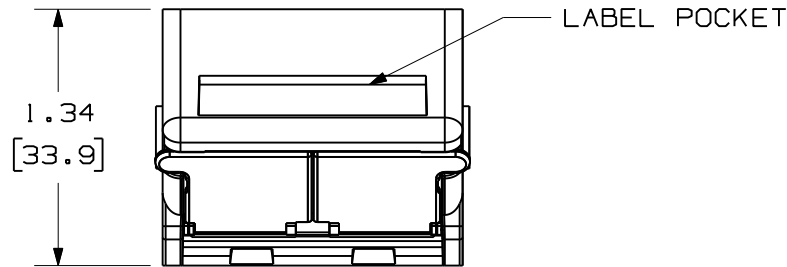



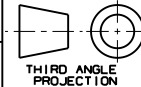
THIS COPY IS PROVIDED ON A RESTRICTED BASIS AND IS NOT TO BE USED IN ANY WAY DETRIMENTAL TO THE INTERESTS OF PANDUIT CORP.

| PANDUIT P/N | WEIGHT                           |
|-------------|----------------------------------|
| CHLS2S**-X  | .17 LB/10 PCS<br>(76.2 g/10 PCS) |

NOTES:

- SEE CURRENT CATALOG FOR ADDITIONAL PART NUMBER SUFFIXES TO INDICATE COLOR AND OR PACKAGE QUANTITY.
- SEE CATALOG FOR COMPLETE LIST OF PARTS APPLICABLE FOR USE WITH THIS PART.
- DIMENSIONS IN ( ) ARE IN METRIC.
- PART INCLUDES:
  - 1- HOUSING
  - 2- SHUTTERS (INSTALLED)
  - 1- LABEL
  - 1- LABEL COVER



|   |                  |                            |   |
|---|------------------|----------------------------|---|
| MODEL FILENAME  | 10M159AA/00      | SIZE                       | A |
| DRAWING FILENAME  | 10M159AA_DA/00A  |                            |   |
| MINI-COM 2 POSITION SLOPED SHUTTER INSERT WITH LABEL CUSTOMER DRAWING   |                  |                            |   |
|  <b>PANDUIT</b> ™<br>CORP.<br>TINLEY PARK, ILL 60477 | I.I. NUMBER      | N/A                        |   |
|   | PRODUCT SPEC     | N/A                        |   |
|  THIRD ANGLE PROJECTION                              | WORK INSTRUCTION | N/A                        |   |
|   | SCALE            | NONE                       |   |
| DRAWN BY<br>JsP   | MATERIAL:        | PART NO.<br>CHLS2S**-X     |   |
| DATE<br>2-11-10   | ABS              | DRAWING NO.<br>10M159AA-01 |   |
| CHK'D   |                  |                            |   |

| REV | DATE    | BY  | CHK | DESCRIPTION            | ECN         | R | CUST | SUP | OTH |
|-----|---------|-----|-----|------------------------|-------------|---|------|-----|-----|
| R   | 2-11-10 | JsP |     | RELEASED TO PRODUCTION | 10M159AA-01 |   |      |     |     |