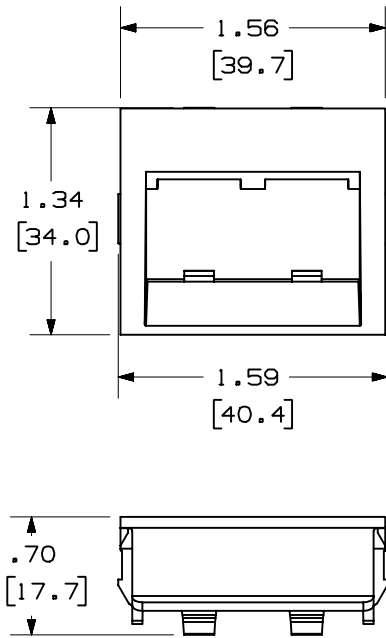


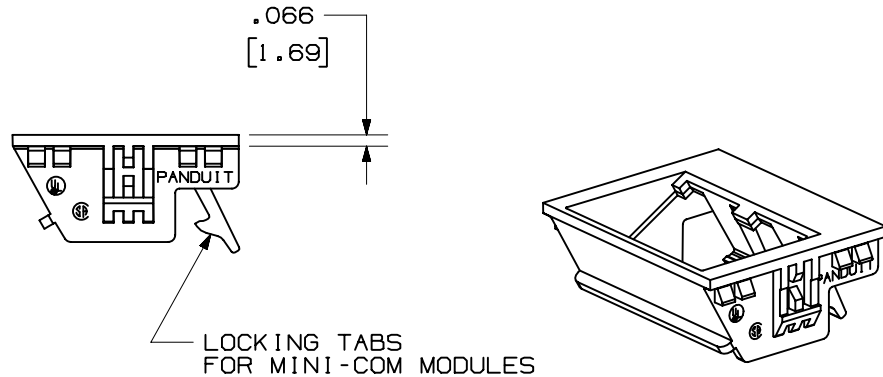
THIS COPY IS PROVIDED ON A RESTRICTED BASIS AND IS NOT TO BE USED IN ANY WAY DETRIMENTAL TO THE INTERESTS OF PANDUIT CORP.



PANDUIT P/N	WEIGHT
CHSRE2**	.10 LB/10 PCS (44 g/10 PCS)

NOTES:

1. SEE CURRENT CATALOG FOR ADDITIONAL PART NUMBER SUFFIXES TO INDICATE COLOR AND OR PACKAGE QUANTITY.
2. SEE CATALOG FOR COMPLETE LIST OF PARTS APPLICABLE FOR USE WITH THIS PART.
3. DIMENSIONS IN PARENTHESES ARE IN METRIC.
4. FOR USE WITH ANY MINI-COM BEZEL DESIGNED TO ACCEPT 1/2 SIZE INSERTS.



MODEL FILENAME	M01334BA_CHSR230_00.PRT	SIZE	A
DRAWING FILENAME	M01334BA_DC_00A.PRT		

MINI-COM™ 1/2 SIZE 30° RECESSED INSERT CUSTOMER DRAWING

<p>PANDUIT® CORP. TINLEY PARK, IL 60477</p>	I.I. NUMBER	N/A
	PRODUCT SPEC	N/A
<p>THIRD ANGLE PROJECTION</p>	WORK INSTRUCTION	N/A
	SCALE	NONE
<p>DRAWN BY JsP</p>	PART NO.	CHSRE2**
<p>DATE 4-23-02</p>	DRAWING NO.	01334-02
<p>CHK'D</p>		

REV	DATE	BY	CHK	DESCRIPTION	ECN	R	CUST	SUP	OTH
R	4-23-02	JsP		RELEASED TO PRODUCTION	01334-02				

ALL DIMENSIONS ARE GIVEN IN INCHES, UNLESS OTHERWISE SPECIFIED.  
 DIMENSIONAL TOLERANCES ARE:  
 (.X) ±.03    (.XXX) ±.005  
 (.XX) ±.01    ANGLES ± 1°

REVIEW DRAWING NUMBERS

MATERIAL: ABS