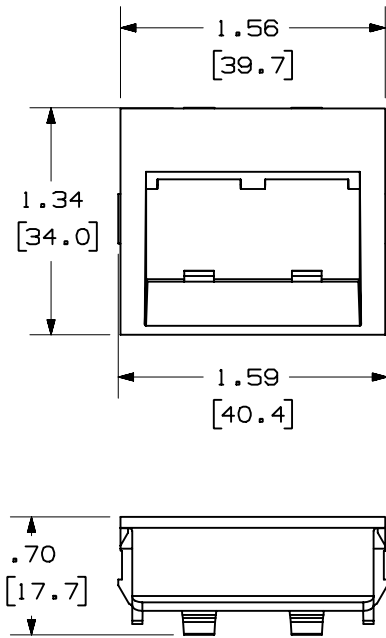


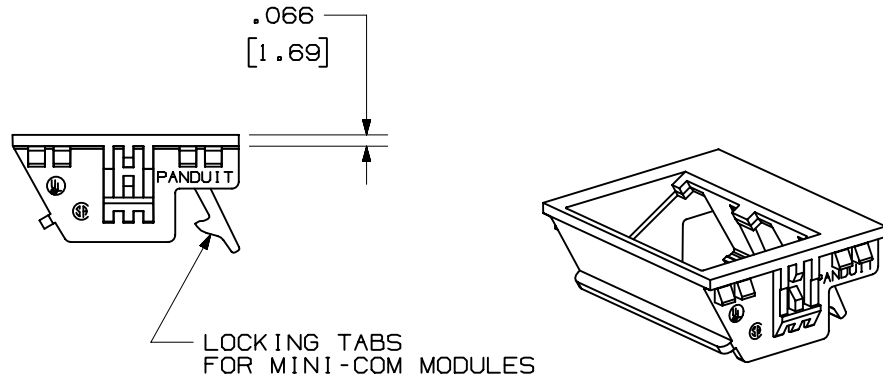
THIS COPY IS PROVIDED ON A RESTRICTED BASIS AND IS NOT TO BE USED IN ANY WAY DETRIMENTAL TO THE INTERESTS OF PANDUIT CORP.



PANDUIT P/N	WEIGHT
CHSRE2**	.10 LB/10 PCS (44 g/10 PCS)

NOTES:

- SEE CURRENT CATALOG FOR ADDITIONAL PART NUMBER SUFFIXES TO INDICATE COLOR AND OR PACKAGE QUANTITY.
- SEE CATALOG FOR COMPLETE LIST OF PARTS APPLICABLE FOR USE WITH THIS PART.
- DIMENSIONS IN PARENTHESES ARE IN METRIC.
- FOR USE WITH ANY MINI-COM BEZEL DESIGNED TO ACCEPT 1/2 SIZE INSERTS.



MODEL FILENAME	M01334BA_CHSR230_00.PRT	SIZE	A
DRAWING FILENAME	M01334BA_DC_00A.PRT		

MINI-COM™ 1/2 SIZE 30° RECESSED INSERT CUSTOMER DRAWING

<p>PANDUIT® CORP. TINLEY PARK, IL 60477</p>	I.I. NUMBER	N/A
	PRODUCT SPEC	N/A
	WORK INSTRUCTION	N/A
	SCALE	NONE
<p>THIRD ANGLE PROJECTION</p>	<p>ALL DIMENSIONS ARE GIVEN IN INCHES, UNLESS OTHERWISE SPECIFIED.</p> <p>DIMENSIONAL TOLERANCES ARE:                  (.X) ±.03    (.XXX) ±.005                  (.XX) ±.01    ANGLES ± 1°</p>	PART NO.
DRAWN BY JsP	REVIEW DRAWING NUMBERS MATERIAL: ABS	CHSRE2**
DATE 4-23-02		DRAWING NO. 01334-02
CHK'D		

REV	DATE	BY	CHK	DESCRIPTION	ECN	R	CUST	SUP	OTH
R	4-23-02	JsP		RELEASED TO PRODUCTION	01334-02				