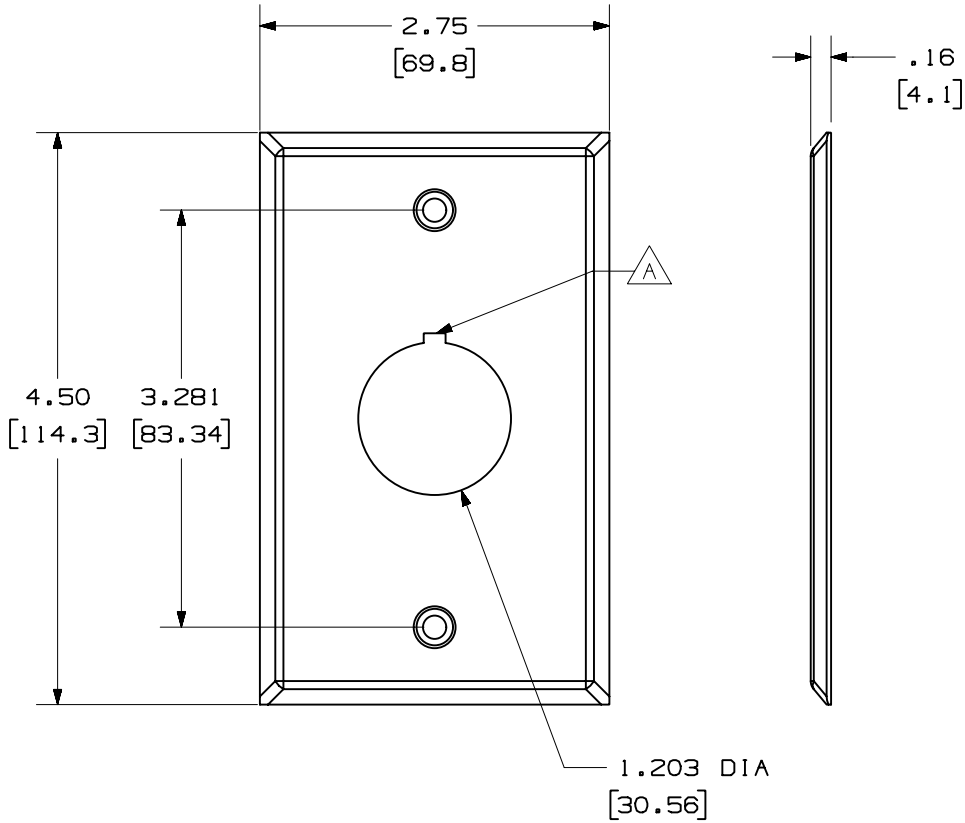


THIS COPY IS PROVIDED ON A RESTRICTED BASIS AND IS NOT TO BE USED IN ANY WAY DETRIMENTAL TO THE INTERESTS OF PANDUIT CORP.



PANDUIT P/N	WEIGHT
CIFP1S	1.22 LB/10 PCS (552.5 g/10 PCS)

- NOTES:
- SEE CURRENT CATALOG FOR ADDITIONAL PART NUMBER SUFFIXES TO INDICATE COLOR AND OR PACKAGE QUANTITY.
 - SEE CATALOG FOR COMPLETE LIST OF PARTS APPLICABLE FOR USE WITH THIS PART.
 - DIMENSIONS IN PARENTHESES ARE IN METRIC.
 - PART INCLUDES:
2- MOUNTING SCREW WITH RUBBER O-RING
1- FACEPLATE
1- FACEPLATE GASKET

MODEL FILENAME	M01644AD_CIFP1S_01.PRT	SIZE	A
DRAWING FILENAME	M01644AD_DC_01A.PRT		

INDUSTRIALNET™ 1 POSITION
FACEPLATE CUSTOMER DRAWING

<p>PANDUIT™ CORP. TINLEY PARK, ILL 60477</p>	I.I. NUMBER	N/A
	PRODUCT SPEC	N/A
<p>THIRD ANGLE PROJECTION</p>	WORK INSTRUCTION	N/A
	SCALE	NONE
DRAWN BY JsP	MATERIAL:	PART NO. CIFP1S
DATE 10-28-03	FACEPLATE: 304 S.S. GASKET: RUBBER	DRAWING NO. 01644-06
CHK'D JCO		

REV	DATE	BY	CHK	DESCRIPTION	ECN	R	CUST	SUP	OTH
I	5-3-04	JsP		A. KEYED AREA IN FACEPLATE WAS ROUND.	01644-06				
R	10-28-03	JsP	JCO	RELEASED TO PRODUCTION	01644-06				