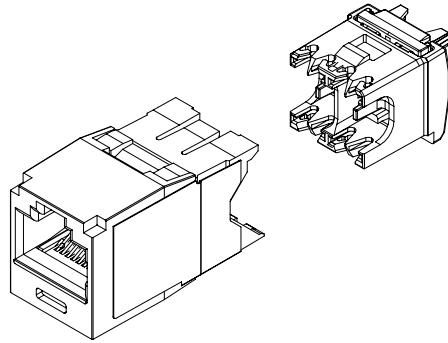


THIS COPY IS PROVIDED ON A RESTRICTED BASIS AND IS NOT TO BE USED IN ANY WAY DETRIMENTAL TO THE INTERESTS OF PANDUIT CORP.

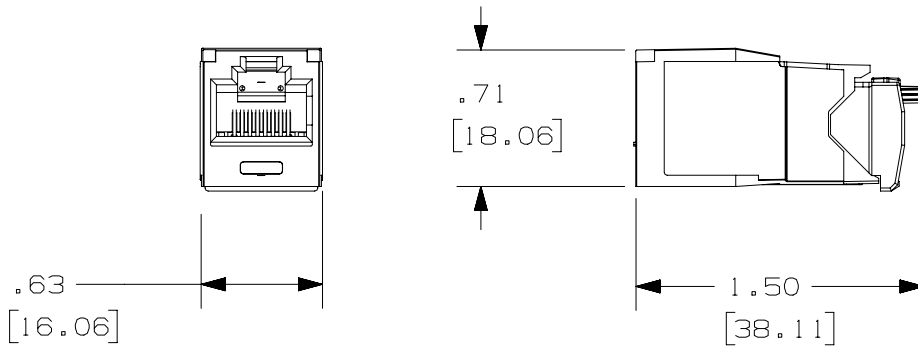
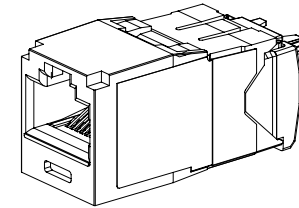
| PANDUIT PART# | DESCRIPTION   | WEIGHT*                            |
|---------------|---|------------------------------------|
| CJ6X88TG**    | 8 POSITION, 8 WIRE UNIVERSAL MODULE.<br>BLUE WIRE CAP IS COLOR CODED FOR<br>T568A AND T568B WIRING SCHEMES. | 1.504 LB/100 PCS<br>(682g/100 PCS) |



\*WEIGHT IS APPROXIMATE  
\*\*JACK COLOR SUFFIX

NOTES:

1. BLUE WIRE CAP DESIGNATES AUGMENTED CATEGORY 6A PERFORMANCE. TO DESIGNATE A JACK COLOR ADD A TWO LETTER COLOR SUFFIX.
2. SEE CURRENT CATALOG FOR AVAILABLE PART NUMBER SUFFIXES TO INDICATE COLOR AND OR PACKAGE QUANTITY.
3. MATERIAL:  
MODULE HOUSING - UL94V-0 ABS  
WIRE CAP - UL94V-0 PC  
STRAIN RELIEF CLIP - UL94V-0 PC
4. ALL CATEGORY 6A, 8 POSITION, 8 WIRE CONNECTOR MODULES ARE UNIVERSAL IN DESIGN. THEY ACCEPT SIX AND EIGHT POSITION MODULAR PLUGS WITHOUT DAMAGE.
5. DIMENSIONS IN [ ] ARE IN METRIC.



|   |         |                        |   |
|---|---------|------------------------|---|
| PART NUMBER   |         | CJ6X88TG**             |   |
| TITLE   |         | TX6A 10G1G JACK MODULE |   |
|   |         | CUSTOMER DRAWING       |   |
| ITEM REVISION NAME  |         | M01874BB/16            |   |
| DATASET FILE NAME   |         | M01874BB_DC40/16A      |   |
| UNLESS OTHERWISE SPECIFIED, DIMENSIONAL TOLERANCES ARE: IN [mm] |         | MATERIAL:              |   |
| .x ± .xxx ± .010 [ .3 ]   |         | SEE NOTES              |   |
| .xx ± .03 [ .8 ]  |         | DRAWING NUMBER:        |   |
|   |         | 01874-40               |   |
| THIRD ANGLE PROJECTION  |         |                        |   |
| DRAWN BY  | DATE    | CHK                    | SCALE   |
| MOJ   | 9-29-04 | PBD                    | NONE  |
| REV   | DATE    | BY                     | DESCRIPTION   |
| 7   | 9/28/15 | MDJR                   | REFR FMS A. UPDATED NOTE 3.   |
| 6   | 6/17/14 | JSP                    | REFR EJH REVISED AND REDRAWN, PREVIOUS REVISIONS HAVE BEEN OMITTED. |
| ECN   |         |                        |   |
|   |         |                        |   |
| SHT 1 OF 1  | A       |                        |   |

D10100DA/14