

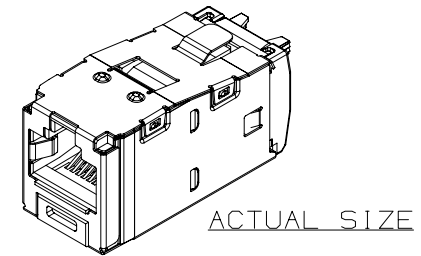
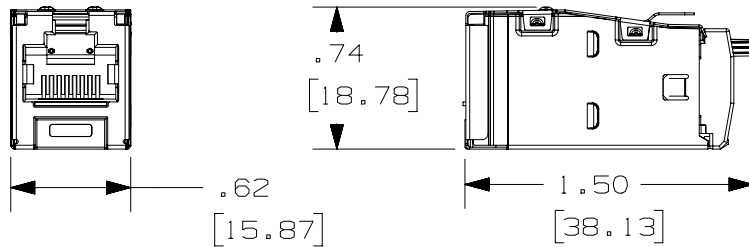
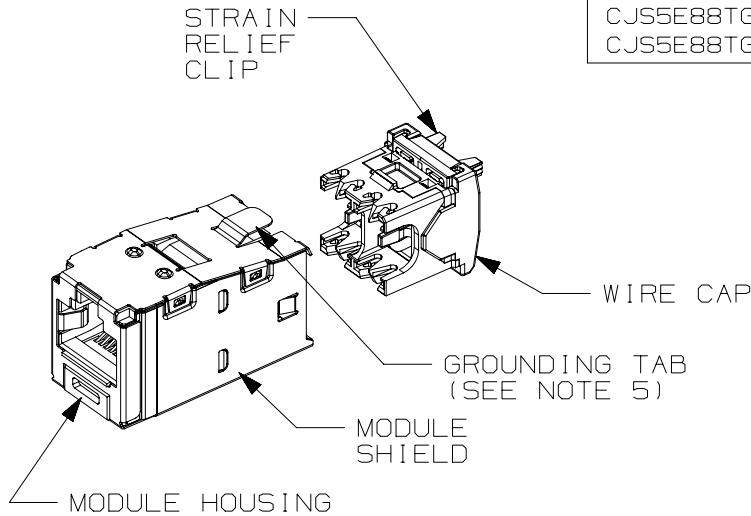
THIS COPY IS PROVIDED ON A RESTRICTED BASIS AND IS NOT TO BE USED IN ANY WAY DETRIMENTAL TO THE INTERESTS OF PANDUIT CORP.

PART#	COLOR	DESCRIPTION	WEIGHT*
CJS5E88TGY	BLACK	8 POSITION, 8 WIRE SHIELDED MODULE WITH INTEGRAL SHIELD. WIRE CAP LABEL IS COLOR CODED FOR T568A AND T568B WIRING SCHEMES.	3.314 LB/100 PCS (1503g/100 PCS)
CJS5E88TGRDY	RED		
CJS5E88TGBUY	BLUE		
CJS5E88TGGRY	GREEN		
CJS5E88TGVLV	VIOLET		
CJS5E88TGYLY	YELLOW		

\*WEIGHT IS APPROXIMATE

NOTES:

1. RED WIRE CAP DESIGNATES CATEGORY 5E PERFORMANCE.
2. MATERIAL:  
MODULE HOUSING-ABS  
SHIELD-TIN PLATED OVER PHOS. BRONZE  
WIRE CAP/CLIP - ZINC AND PC
3. ALL TX5e,6 AND 6A 8 POSITION, 8 WIRE JACK MODULES ARE UNIVERSAL IN DESIGN. THEY ACCEPT SIX AND EIGHT POSITION MODULAR PLUGS WITHOUT DAMAGE.
4. DIMENSIONS IN PARENTHESES ARE IN METRIC.
5. .187 x .010" GROUNDING TAB PROVIDED AS OPTIONAL CONDUCTIVE PATH FOR GROUNDING.



PART NUMBER		CJS5E88TG**Y	
TITLE		TX5E SHIELDED JACK MODULE	
		CUSTOMER DRAWING	
ITEM REVISION NAME		M02479NR/06	
DATASET FILE NAME		M02479NR_DC356/06A	
UNLESS OTHERWISE SPECIFIED, DIMENSIONAL TOLERANCES ARE: IN [mm]		MATERIAL:	
.x ± .xxx ± .010 [.3]		SEE NOTE 2	
.xx ± .03 [.8] ANGLES ±		DRAWING NUMBER:	
THIRD ANGLE PROJECTION		02479-356	
DRAWN BY	DATE	CHK	SCALE
AFW	3-11-06	CEF	FULL
REV		SHT 1 OF 1	
A		A	

REV	DATE	BY	CHK	APR	DESCRIPTION	ECN
6	2-15-17	ROJC	NAGL	TMBA	MODEL REVISION UPDATED REMOVED PREVIOUS REVISIONS FOR CLARITY	02479-356

D10100DA/14