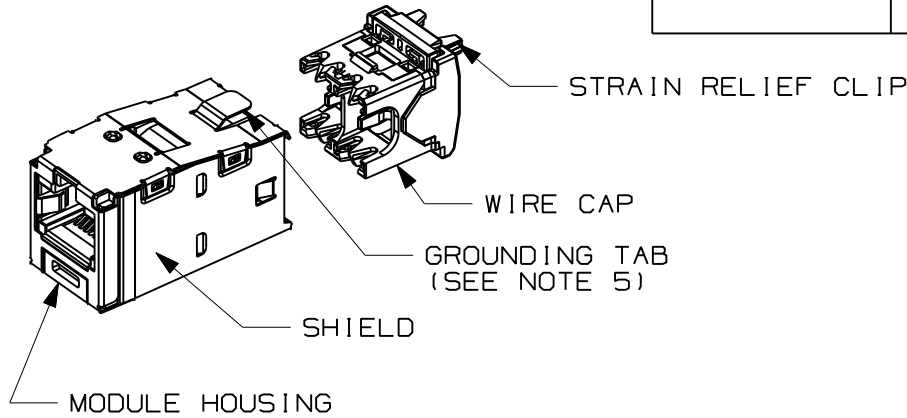


THIS COPY IS PROVIDED ON A RESTRICTED BASIS AND IS NOT TO BE USED IN ANY WAY DETRIMENTAL TO THE INTERESTS OF PANDUIT CORP.

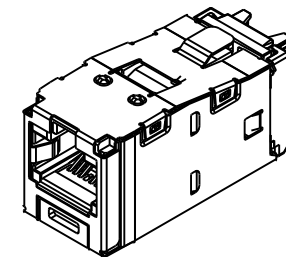
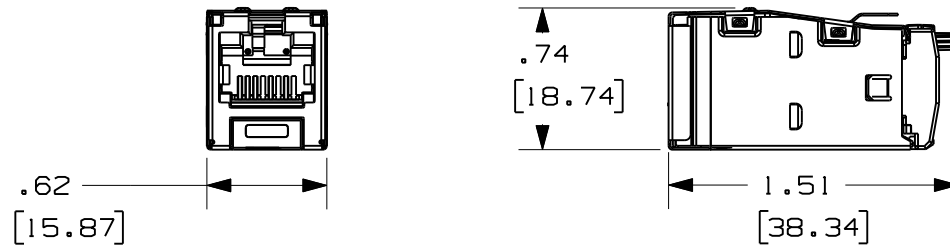
PART #	DESCRIPTION	WEIGHT*
CJS06X88TGBL	8 POSITION, 8 WIRE SHIELDED MODULE WITH INTEGRAL SHIELD. TERMINATION CAP IS COLOR CODED FOR T568A AND T568B WIRING SCHEMES.	3.314 LB/100 PCS (1503g/100 PCS)

\*WEIGHT IS APPROXIMATE



NOTES:

1. BLUE WIRE CAP DESIGNATES CATEGORY 6A PERFORMANCE.
2. MATERIAL:  
MODULE HOUSING-ABS  
NOMINAL WALL THICKNESS .078(2.0).  
WIRE CAP-PC/ZINC
3. ALL PVIQ TX6 10GIG 8 POSITION, 8 WIRE, KEYED JACK MODULES ARE MADE TO EXCEPT ONLY PVIQ KEYED PLUG MODULES.
4. DIMENSIONS IN PARENTHESES ARE IN METRIC.
5. .187 x .010" GROUNDING TAB PROVIDED AS OPTIONAL CONDUCTIVE PATH FOR GROUNDING.



ACTUAL SIZE

MODEL FILENAME	M03084E I /00	SIZE	A
DRAWING FILENAME	M03084E I_DC55/00A		
TITLE	PVIQ TX6 10GIG MODULAR KEYED SHIELDED JACK MODULE CUSTOMER DRAWING		
	PANDUIT <sup>TM</sup> CORP. TINLEY PARK, ILL 60477	I.T. NUMBER	
	THIRD ANGLE PROJECTION	PRODUCT SPEC	
	ALL DIMENSIONS ARE GIVEN IN INCHES, UNLESS OTHERWISE SPECIFIED.	WORK INSTRUCTION	
	DIMENSIONAL TOLERANCES ARE: (.X) ± (.XXX) ±.010(.3) (.XX) ±.03(.8) ANGLES ±	SCALE	FULL
DRAWN BY	MDJr	REVIEW DRAWING NUMBERS	PART NO.
DATE	10-22-08		CJS06X88TGBL
CHK'D			DRAWING NO.
			03084-55

REV	DATE	BY	CHK	DESCRIPTION	ECN	R	CUST	SUP	OTH
R	1-29-10	MDJr		RELEASED TO PRODUCTION	03084-55				