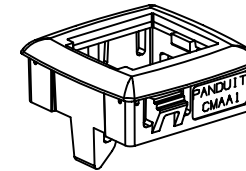
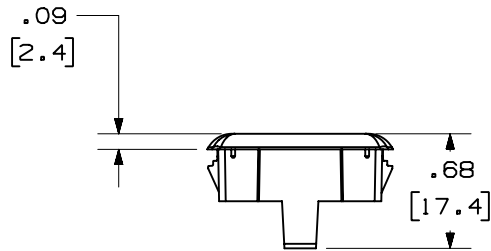
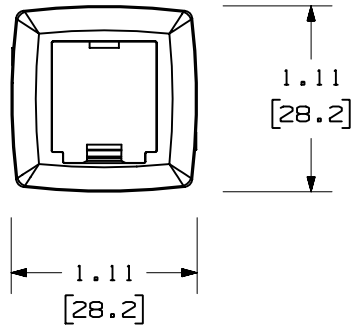


THIS COPY IS PROVIDED ON A RESTRICTED BASIS AND IS NOT TO BE USED IN ANY WAY DETRIMENTAL TO THE INTERESTS OF PANDUIT CORP.

PANDUIT P/N	WEIGHT
CMAA1**-X	.04 LB/10 PCS (21.0 g/10 PCS)



NOTES:

1. SEE CURRENT CATALOG FOR ADDITIONAL PART NUMBER SUFFIXES TO INDICATE COLOR AND OR PACKAGE QUANTITY.
2. SEE CATALOG FOR COMPLETE LIST OF PARTS APPLICABLE FOR USE WITH THIS PART.
3. DIMENSIONS IN PARENTHESES ARE IN METRIC.
4. PANEL OPENING REQUIRED IS: 25mm OR 1.00" SQUARE.

CAD FILENAME/LAYERS M01165BC\_DC\_07A.PRT

**PANDUIT** CORP. TINLEY PARK, ILLINOIS

MINI-COM™ 1 POSITION AUSTRALIAN FURNITURE ADAPTER  
CUSTOMER DRAWING (CMAA1\*\*-X)

UNLESS OTHERWISE SPECIFIED, DIMENSIONAL TOLERANCES ARE:  
(.X) ± (.XXX) ±.010(.3)  
(.XX) ±.03(.8) ANGLES ±

UNLESS OTHERWISE SPECIFIED, ALL DIMENSIONS ARE GIVEN IN INCHES, THIRD ANGLE PROJECTION.

REV	DATE	BY	CHK	DESCRIPTION	ECN	CHK	CUST	SUP
I	8-27-01	JsP		B. CHANGED FIT DIMENSIONS. A. CHANGED SNAP PROFILE.	01165-04			
R	5-10-01	JsP	PBD	RELEASED TO PRODUCTION.	01165-04	PBD		

DRAWN BY JsP	MAT'L: ABS	SCALE NONE
DATE 5-10-01	CHECKED BY PBD	DWG 01165-04 A SIZE