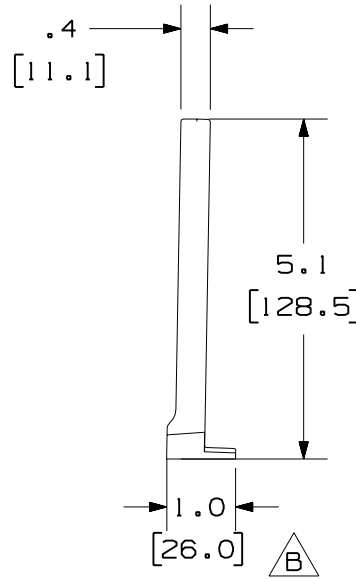
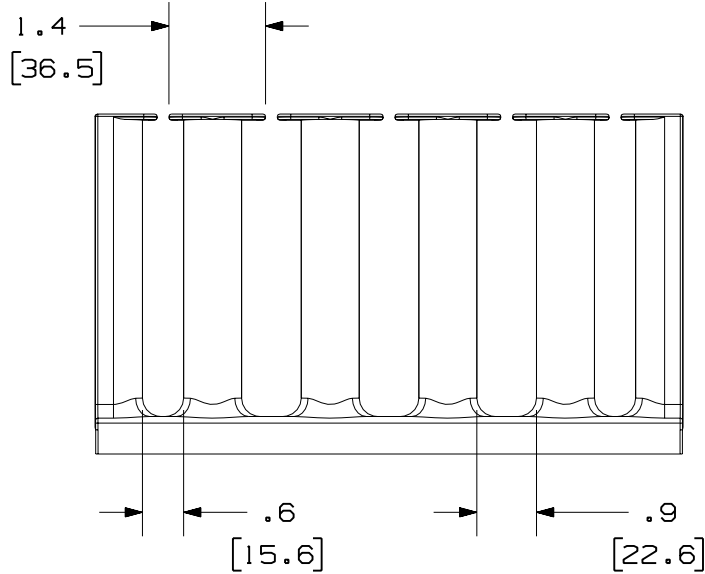
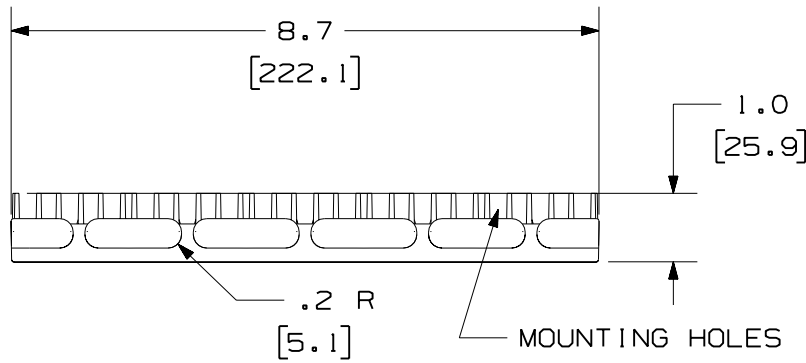


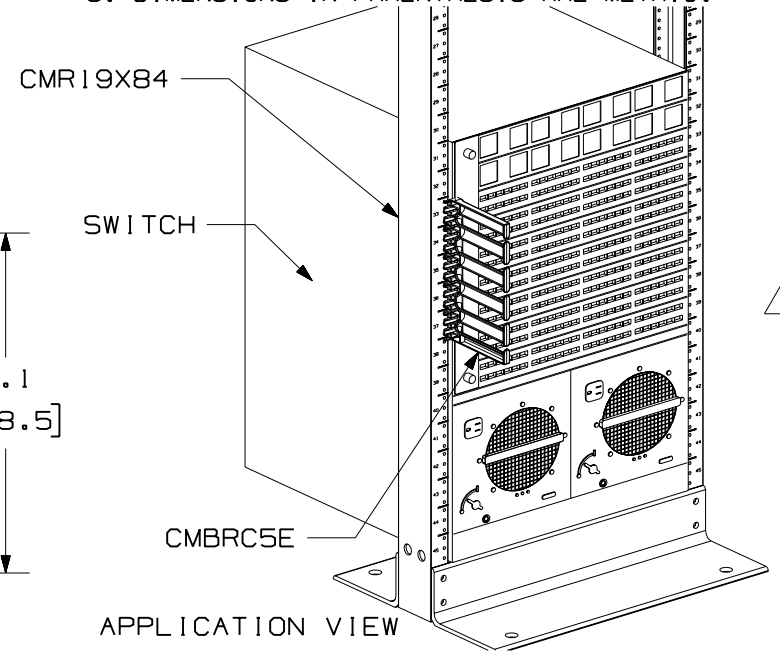
THIS COPY IS PROVIDED ON A RESTRICTED BASIS AND IS NOT TO BE USED IN ANY WAY DETRIMENTAL TO THE INTERESTS OF PANDUIT CORP.



PANDUIT P/N	WEIGHT
CMBRCE5	.25 LBS/EACH 115 g/EACH

NOTES:

1. SEE CATALOG FOR COMPLETE LIST OF PARTS APPLICABLE FOR USE WITH THIS PRODUCT.
2. CAN BE MOUNTED TO EIA STANDARD RACKS USING THE EXISTING SCREWS THAT SUPPORT THE ACTIVE EQUIPMENT.
3. DIMENSIONS IN PARENTHESIS ARE METRIC.



APPLICATION VIEW

MODEL FILENAME	V10024LC_CMBRCE5_04.PRT
CAD FILENAME/LAYERS	V10024LC_DC_04C.PRT

PANDUIT CORP. TINLEY PARK, ILLINOIS

EXTENDED HORIZONTAL CARD CABLE MANAGER
FOR ACTIVE EQUIPMENT
(CMBRCE5) CUSTOMER DRAWING

UNLESS OTHERWISE SPECIFIED,
DIMENSIONAL TOLERANCES ARE:
(.X) ± .03 (XXX) ± .005
(.XX) ± .015 ANGLES ± 1°

UNLESS OTHERWISE SPECIFIED,
ALL DIMENSIONS ARE GIVEN
IN INCHES, THIRD ANGLE PROJECTION.

REV	DATE	BY	CHK	DESCRIPTION	ECN	R	CUST	SUP	OTH
1	2-19-07	MLVO		B. ADDED DIMENSION. A. REPLACED ISOMETRIC VIEW WITH APPLICATION VIEW.	10024-08				
R	6-11-02	JDWE	MECA	RELEASED TO PRODUCTION	10024-08		MECA	MJM	

DRAWN BY JDWE	MAT'L: POLYCARBONATE - BLACK	SCALE NONE
DATE 6-11-02		DRAWING NO. 10024-08
CHK'D MECA		DWG A SIZE