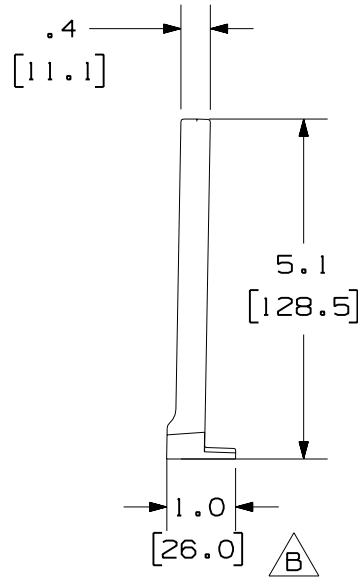
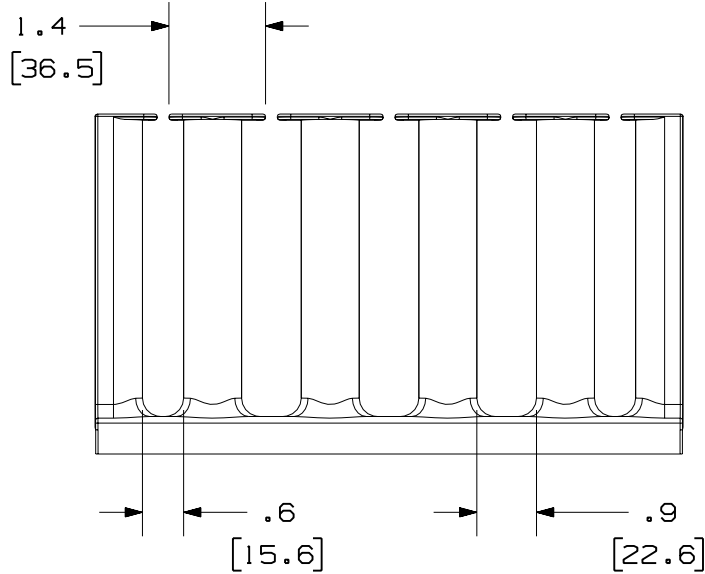
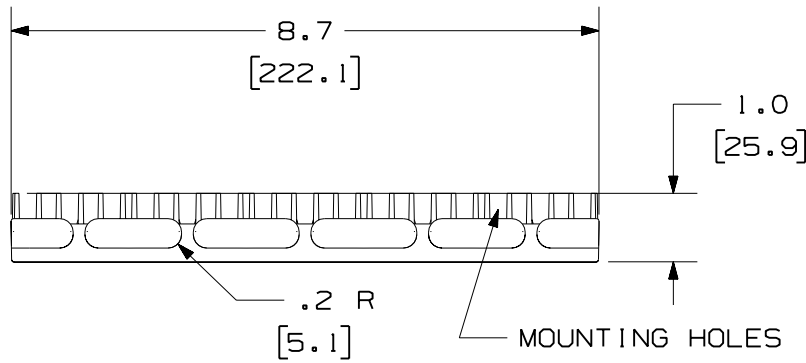


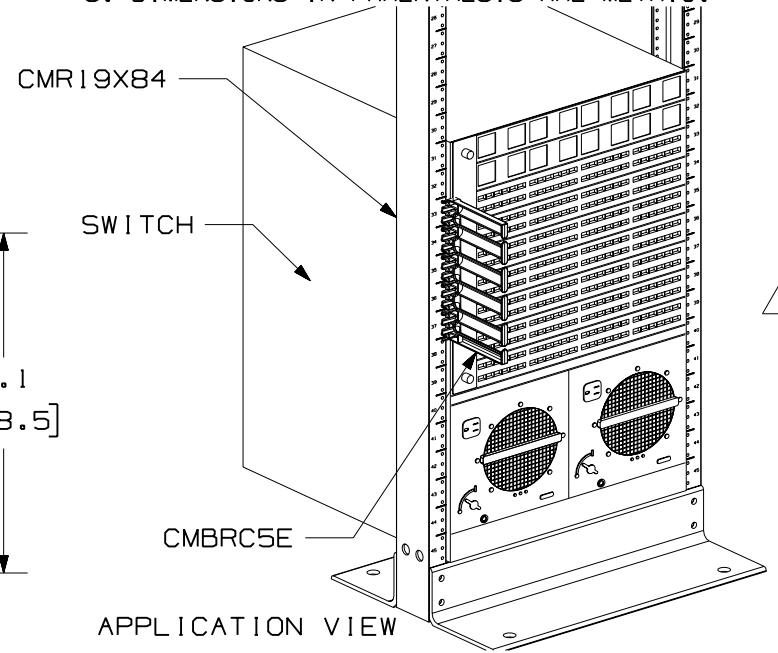
THIS COPY IS PROVIDED ON A RESTRICTED BASIS AND IS NOT TO BE USED IN ANY WAY DETRIMENTAL TO THE INTERESTS OF PANDUIT CORP.



| PANDUIT P/N | WEIGHT                     |
|-------------|----------------------------|
| CMBRCE5     | .25 LBS/EACH<br>115 g/EACH |

NOTES:

1. SEE CATALOG FOR COMPLETE LIST OF PARTS APPLICABLE FOR USE WITH THIS PRODUCT.
2. CAN BE MOUNTED TO EIA STANDARD RACKS USING THE EXISTING SCREWS THAT SUPPORT THE ACTIVE EQUIPMENT.
3. DIMENSIONS IN PARENTHESIS ARE METRIC.



APPLICATION VIEW

|                     |                         |
|---------------------|-------------------------|
| MODEL FILENAME      | V10024LC_CMBRCE5_04.PRT |
| CAD FILENAME/LAYERS | V10024LC_DC_04C.PRT     |

PANDUIT CORP. TINLEY PARK, ILLINOIS

EXTENDED HORIZONTAL CARD CABLE MANAGER  
FOR ACTIVE EQUIPMENT  
(CMBRCE5) CUSTOMER DRAWING

UNLESS OTHERWISE SPECIFIED,  
DIMENSIONAL TOLERANCES ARE:  
(.X) ± .03 (XXX) ± .005  
(.XX) ± .015 ANGLES ± 1°

UNLESS OTHERWISE SPECIFIED,  
ALL DIMENSIONS ARE GIVEN  
IN INCHES, THIRD ANGLE PROJECTION.

|                  |                                 |                  |
|------------------|---------------------------------|------------------|
| DRAWN BY<br>JDWE | MAT'L:<br>POLYCARBONATE - BLACK | SCALE<br>NONE    |
| DATE<br>6-11-02  | DRAWING NO.<br>10024-08         | DWG<br>A<br>SIZE |
| CHK'D<br>MECA    |                                 |                  |

| REV | DATE    | BY   | CHK  | DESCRIPTION  | ECN      | R | CUST | SUP | OTH |
|-----|---------|------|------|--|----------|---|------|-----|-----|
| 1   | 2-19-07 | MLVO |      | B. ADDED DIMENSION.<br>A. REPLACED ISOMETRIC VIEW WITH APPLICATION VIEW. | 10024-08 |   |      |     |     |
| R   | 6-11-02 | JDWE | MECA | RELEASED TO PRODUCTION   | 10024-08 |   | MECA | MJM |     |