

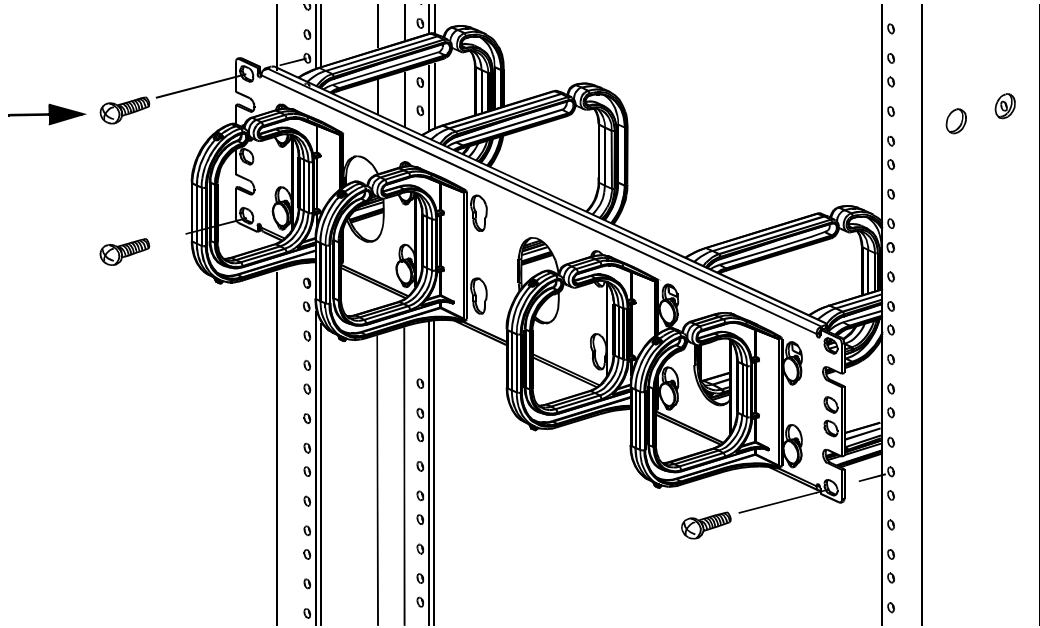
## CM108 INSTALLATION INSTRUCTIONS

© Panduit Corp. 2001

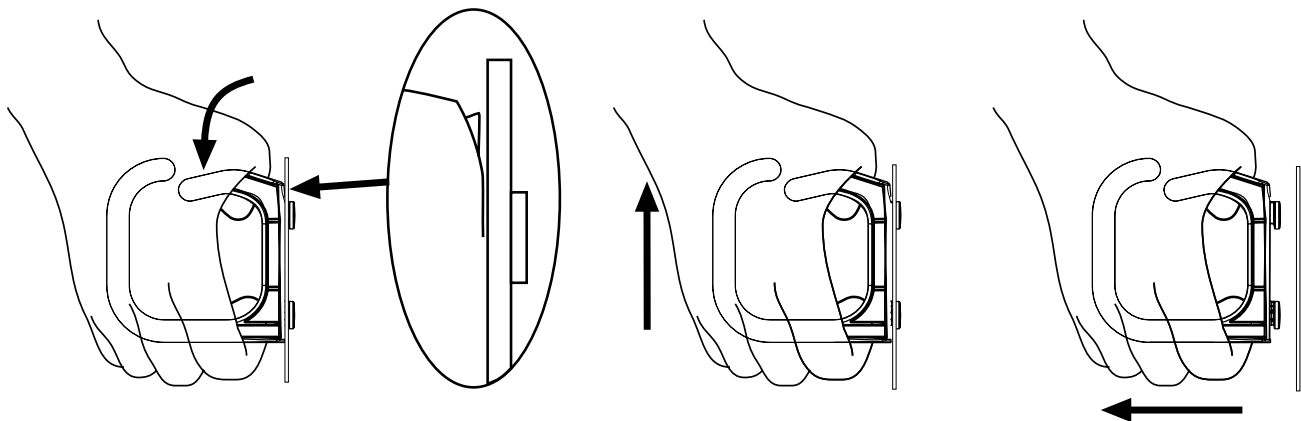
Printed in U.S.A.

### Typical panel mounting procedure

FOUR (4) #12-24 x 1/2"  
SCREWS INCLUDED  
IN EACH KIT



### D-ring removal procedure



**Horizontal Cable Management Panels**

| <b>PART NUMBER</b>         | <b>DESCRIPTION</b>  | <b>CABLE CAPACITY* UTP (.187")</b> |
|----------------------------|---|------------------------------------|
| <b>CMPH1<br/>CMPH123</b>   | Manages patch cables and distribution cables. Includes 1.5"x3" D-ring CMDRH1 on the front and 1.5"x5" D-ring CMDRHD1 on the back.                           | 40 Front<br>40 Back                |
| <b>CMPH2<br/>CMPH223</b>   | Manages patch cables and distribution cables. Includes 3"x3" D-ring CMDRH2 on the front and 3"x5" D-ring CMDRHD2 on the back.                               | 96 Front<br>96 Back                |
| <b>CMPHF1<br/>CMPHF123</b> | Manages patch cables. Includes 1.5"x5" D-ring CMDRH1 on the front.  | 40                                 |
| <b>CMPHF2<br/>CMPHF223</b> | Manages patch cables. Includes 3"x3" D-ring CMDRH2 on the front.  | 96                                 |
| <b>CMPHD1</b>              | Manages patch cables and distribution cables. Includes 1.5"x5" D-ring CMDRH1 on the front and 1"x4" wiring duct on the back.                                | 40 Front<br>36 Back                |
| <b>CMPHD2</b>              | Manages patch cables and distribution cables. Includes 3"x3" wiring duct on the front and 3"x5" CMDRHD2 on the back.  | 72 Front<br>96 Back                |
| <b>CMPHDR2</b>             | Manages patch cables and distribution cables. Includes 3"x3" D-ring CMDRH2 on the front and 2"x5" wiring duct on the back.                                  | 96 Front<br>72 Back                |
| <b>CMPHHF1</b>             | Manages high density patch cables. Includes 1.5"x5" CMDRHD1 on front.   | 52                                 |
| <b>CMPH1W<br/>CMPH123W</b> | Manages patch cables and distribution cables. Includes 1.5x3" D-ring CMDRH1 on the front, 1.5x5" D-ring CMDRHD1 on the back, and a cover.                   | 40 Front<br>40 Back                |
| <b>CMPH2W<br/>CMPH223W</b> | Manages patch cables and distribution cables. Includes 3"x3" D-ring CMDRH2 on the front and 3"x3" D-ring on the back, Bend Radius Clip CMSRC2, and a cover. | 96 Front<br>96 Back                |
| <b>CMDRH1</b>              | Horizontal D-ring. 1.5"x3" (3.81cm x 7.62cm)  | 40                                 |
| <b>CMDRH2</b>              | Horizontal D-ring. 3"x3" (7.62cm x 7.62cm)  | 96                                 |
| <b>CMDRHD1</b>             | Horizontal D-ring. 1.5"x5" (3.81cm x 7.62cm)  | 52                                 |
| <b>CMDRHD2</b>             | Horizontal D-ring. 3"x5" (7.62cm x 12.7cm)  | 192                                |
| <b>CMPH1C</b>              | One rack unit 19" replacement cover   | N/A                                |
| <b>CMPH2C</b>              | Two rack unit 19" replacement cover   | N/A                                |
| <b>CMPH123C</b>            | One rack unit 23" replacement cover   | N/A                                |
| <b>CMPH223C</b>            | Two rack unit 23" replacement cover   | N/A                                |

**Vertical Cable Management**

|               |   |     |
|---------------|---|-----|
| <b>CMVDR1</b> | 1" Wide vertical cable management bracket | 96  |
| <b>CMVDR2</b> | 2" Wide vertical cable management bracket | 192 |
| <b>CMVDRC</b> | Center mounted D-ring                     | 432 |

\*Duct capacity is based on a 40% fill.

WORLDWIDE SUBSIDIARIES AND SALES OFFICES



412 Rockwell Court  
Burr Ridge, Illinois 60521

**Technical Support: 866-405-6654**  
**Fax: 708-444-6993**

**E-mail: [info@panduit.com](mailto:info@panduit.com)**  
**Web site: [www.panduit.com/ncg](http://www.panduit.com/ncg)**