

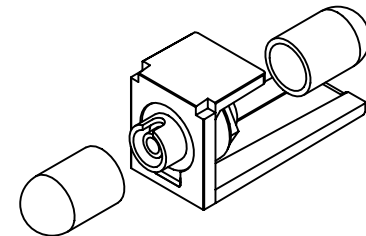
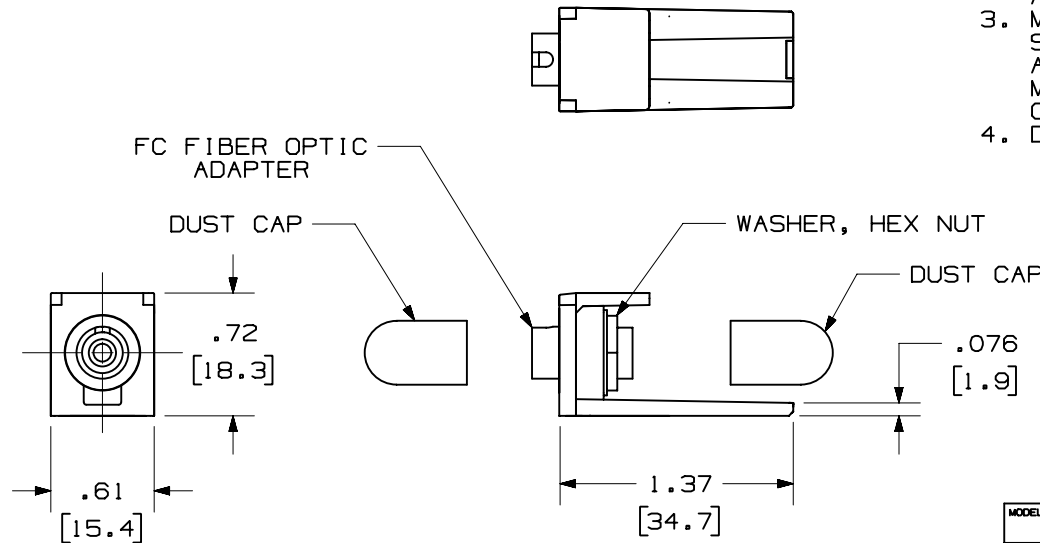


THIS COPY IS PROVIDED ON A RESTRICTED BASIS AND IS NOT TO BE USED IN ANY WAY DETRIMENTAL TO THE INTERESTS OF PANDUIT CORP.

| PANDUIT P/N | FC ADAPTER DESCRIPTION | WEIGHT |
|---|---|-----------------------------------|
|  CMFC** | PHOSPHORUS BRONZE SPLIT SLEEVE W/RED DUST CAPS | 1.83 LB/100 PCS (832g/100 PCS) |
|  CMFCZ** | CERAMIC ZIRCONIA SPLIT SLEEVE W/BLACK DUST CAPS | 1.94 LB/100 PCS (883g/100 PCS) |

NOTES:

- SEE CURRENT CATALOG FOR ADDITIONAL PART NUMBER SUFFIXES TO INDICATE COLOR AND OR PACKAGE QUANTITY.
- SEE CATALOG FOR COMPLETE LIST OF PARTS APPLICABLE FOR USE WITH THIS PART.
- MATERIALS:
SLEEVE: SEE TABLE
ADAPTER: NICKEL PLATED BRASS
MODULE BASE: ABS
CAPS: RUBBER
- DIMENSIONS IN PARENTHESES ARE IN METRIC.



| | |
|---------------------|----------------------------|
| MODEL FILENAME | M00853BA_FC_ADAPTER_00.PRT |
| CAD FILENAME/LAYERS | M00853BA_DC_00B.PRT (1) |

PANDUIT CORP. TINLEY PARK, ILLINOIS

MINI-COM FC FIBER OPTIC ADAPTER MODULE (CMFC** & CMFCZ**) CUSTOMER DRAWING

UNLESS OTHERWISE SPECIFIED, DIMENSIONAL TOLERANCES ARE:
 (.X) ± .03 (.XXX) ± .005
 (.XX) ± .01 ANGLES ± 1°

UNLESS OTHERWISE SPECIFIED, ALL DIMENSIONS ARE GIVEN IN INCHES, THIRD ANGLE PROJECTION.

| REV | DATE | BY | CHK | DESCRIPTION | ECN | R | CUST | SUP | OTH | DRAWN BY | MAT'L | SCALE | DRAWING NO. | DWG SIZE | |
|-----|----------|-----|------|--------------------------------|----------|------|------|-----|-----|------------------|-----------|-------|-------------|----------|---|
| 1 | 05-10-00 | EFK | | B. WAS: CMFCC A. WAS: CMFCZ | 00853-02 | | | | | TA | SEE NOTES | NONE | | | |
| R | 04-17-00 | TA | AMJR | RELEASED TO PRODUCTION | 00853-02 | AMJR | FJD | | | DATE 04-17-00 | | | | 00853-02 | A |
| | | | | | | | | | | CHK'D AMJR | | | | | |