

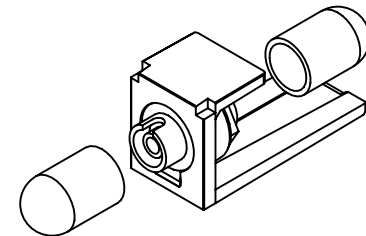
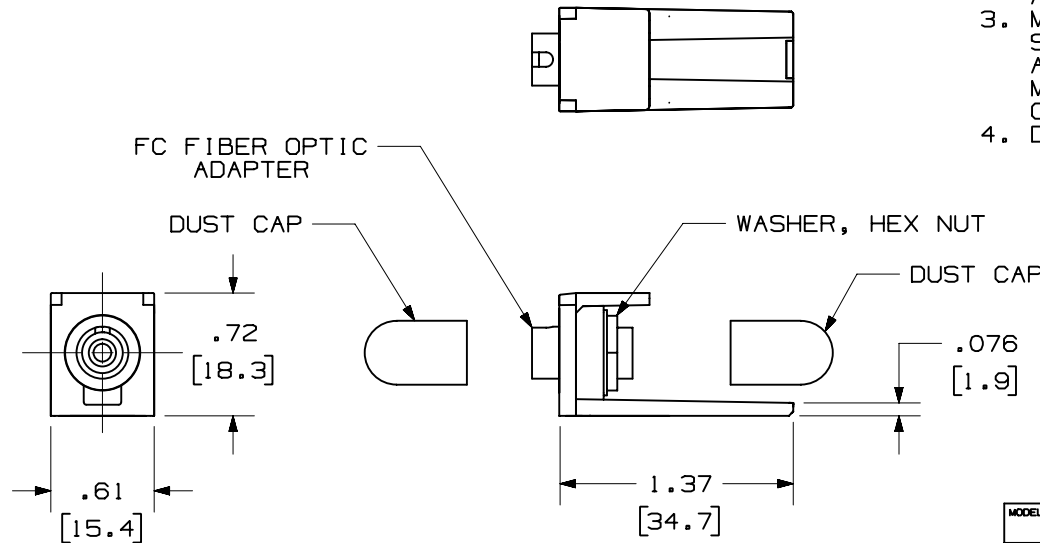


THIS COPY IS PROVIDED ON A RESTRICTED BASIS AND IS NOT TO BE USED IN ANY WAY DETRIMENTAL TO THE INTERESTS OF PANDUIT CORP.

PANDUIT P/N	FC ADAPTER DESCRIPTION	WEIGHT
 CMFC**	PHOSPHORUS BRONZE SPLIT SLEEVE W/RED DUST CAPS	1.83 LB/100 PCS (832g/100 PCS)
 CMFCZ**	CERAMIC ZIRCONIA SPLIT SLEEVE W/BLACK DUST CAPS	1.94 LB/100 PCS (883g/100 PCS)

NOTES:

- SEE CURRENT CATALOG FOR ADDITIONAL PART NUMBER SUFFIXES TO INDICATE COLOR AND OR PACKAGE QUANTITY.
- SEE CATALOG FOR COMPLETE LIST OF PARTS APPLICABLE FOR USE WITH THIS PART.
- MATERIALS:
SLEEVE: SEE TABLE
ADAPTER: NICKEL PLATED BRASS
MODULE BASE: ABS
CAPS: RUBBER
- DIMENSIONS IN PARENTHESES ARE IN METRIC.



MODEL FILENAME	M00853BA_FC_ADAPTER_00.PRT
CAD FILENAME/LAYERS	M00853BA_DC_00B.PRT (1)

PANDUIT CORP. TINLEY PARK, ILLINOIS

MINI-COM FC FIBER OPTIC ADAPTER MODULE (CMFC** & CMFCZ**) CUSTOMER DRAWING

UNLESS OTHERWISE SPECIFIED, DIMENSIONAL TOLERANCES ARE:
(.X) ± .03 (.XXX) ± .005
(.XX) ± .01 ANGLES ± 1°

UNLESS OTHERWISE SPECIFIED, ALL DIMENSIONS ARE GIVEN IN INCHES, THIRD ANGLE PROJECTION.

REV	DATE	BY	CHK	DESCRIPTION	ECN	R	CUST	SUP	OTH	DRAWN BY	MAT'L	SCALE	DRAWING NO.	DWG SIZE	
1	05-10-00	EFK		B. WAS: CMFCC A. WAS: CMFCZ	00853-02					TA	SEE NOTES	NONE			
R	04-17-00	TA	AMJR	RELEASED TO PRODUCTION	00853-02	AMJR	FJD			DATE 04-17-00				00853-02	A
										CHK'D AMJR					