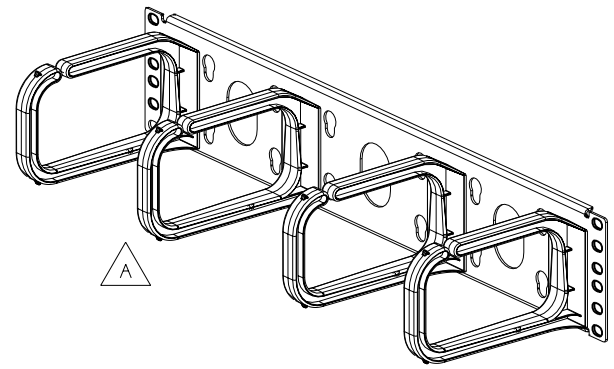
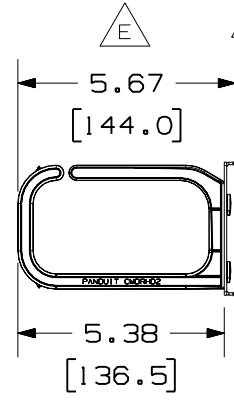
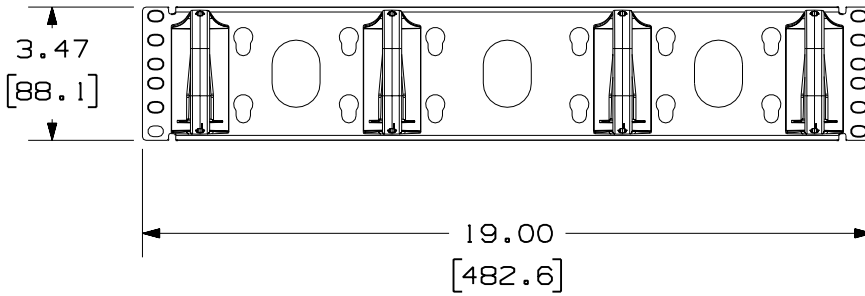
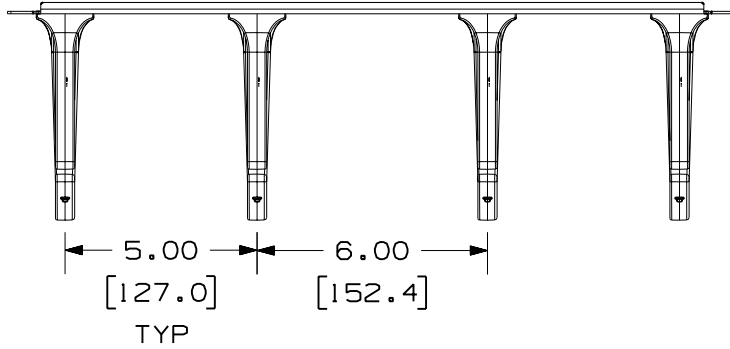


THIS COPY IS PROVIDED ON A RESTRICTED BASIS AND IS NOT TO BE USED IN ANY WAY DETRIMENTAL TO THE INTERESTS OF PANDUIT CORP.

PANDUIT P/N	WEIGHT
CMPHH2	15.54 LB/10 PCS (7051.0g/10 PCS)



- NOTES:
- 2. SEE CATALOG FOR COMPLETE LIST OF PARTS APPLICABLE FOR USE WITH THIS PART.
 - 3. DIMENSIONS IN PARENTHESES ARE IN METRIC.
 - 4. PARTS INCLUDED:
 - 4- D-RINGS
 - 1- STAMPING
 - 4- 12-24 SCREWS
 - 4- M6 METRIC SCREWS

MODEL FILENAME	M00072AD_RCMPHH2_01.PRT
CAD FILENAME/LAYERS	M00072AD_DC_01C.PRT

PANDUIT CORP. TINLEY PARK, ILLINOIS

OPEN CABLE MANAGEMENT PANEL
HORIZONTAL HIGH DENSITY (CMPHH2)
CUSTOMER DRAWING

REV	DATE	BY	CHK	DESCRIPTION	ECN	CHK	CUST	SUP
3	2-19-07	MLVO		E. ADDED DEPTH DIMENSION.	00072-17			
2	4-30-02	JDWE	KRKE	D. REMOVED NOTE 1. C. ADDED METRIC SCREWS	00072-17	RTSU	RTSU	
1	10-11-99	KLGO	RLFR	B. ADDED PARTS INCLUDED A. UPDATED TO REFLECT NEW DESIGN	00072-17	CEF	CEF	
R	7-16-98	JSP	FJD	RELEASED TO PRODUCTION.	00072-17	FJD	FJD	

UNLESS OTHERWISE SPECIFIED, DIMENSIONAL TOLERANCES ARE: (.X) ± (.XXX) ±.010(.3) (.XX) ±.03(.8) ANGLES ±		UNLESS OTHERWISE SPECIFIED, ALL DIMENSIONS ARE GIVEN IN INCHES, THIRD ANGLE PROJECTION.	
DRAWN BY JSP	MAT'L: STAMPING- BLACK POWDER COATED STEEL	SCALE NONE	
DATE 7-16-98	RINGS- BLACK PC	DRAWING NO. 00072-17	DWG A
CHECKED BY FJD			SIZE