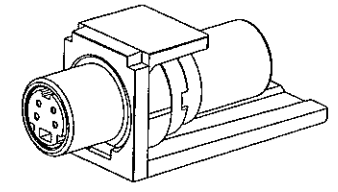
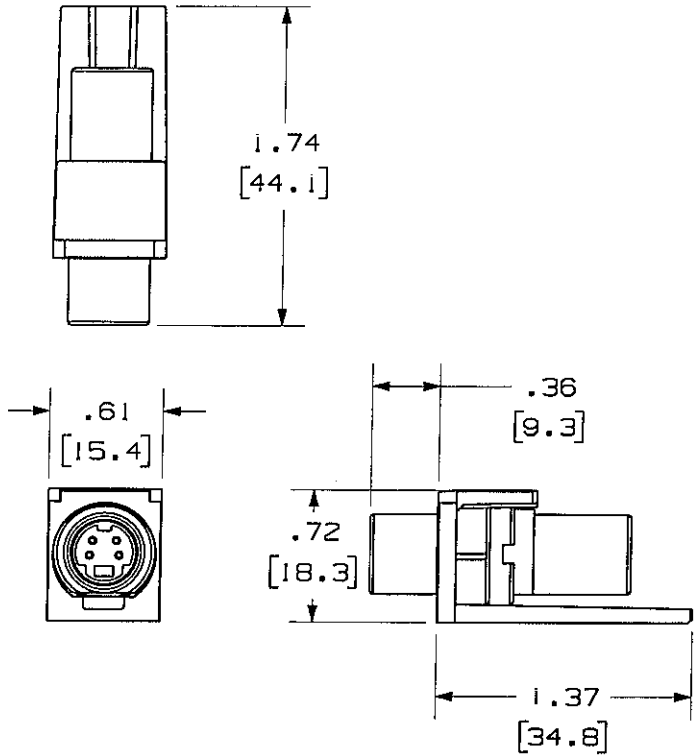



THIS COPY IS PROVIDED ON A RESTRICTED BASIS AND IS NOT TO BE USED IN ANY WAY DETRIMENTAL TO THE INTERESTS OF PANDUIT CORP.

| | |
|-------------|-----------------------------------|
| PANDUIT P/N | WEIGHT |
| CMSVC**Y | .40 LB/10 PCS (181.3 g/10 PCS) |

- NOTES:
1. SEE CURRENT CATALOG FOR ADDITIONAL PART NUMBER SUFFIXES TO INDICATE COLOR AND OR PACKAGE QUANTITY.
 2. SEE CATALOG FOR COMPLETE LIST OF PARTS APPLICABLE FOR USE WITH THIS PART.
 3. DIMENSIONS IN PARENTHESES ARE IN METRIC.
 4. PART INCLUDES:
 - 1- MODULE BASE
 - 1- S-VIDEO COUPLER (ASSEMBLED TO MODULE BASE)



NETWORK SYSTEMS
MAY 25 2006
ENGINEERING DEPT

| | | | |
|--|------------------------|---|-----------|
| MODEL FILENAME | M00823AA_CMSV_01.PRT | SIZE | A |
| DRAWING FILENAME | M02479HC_DC187_00A.PRT | MINI-COM S-VIDEO COUPLER MODULE CUSTOMER DRAWING | |
|  | | 1.1. NUMBER | N/A |
| ALL DIMENSIONS ARE GIVEN IN INCHES, UNLESS OTHERWISE SPECIFIED. DIMENSIONAL TOLERANCES ARE: (.X) ± .010(.25) (.XX) ± .001(.01) ANGLES ± | | PRODUCT SPEC | N/A |
| THIRD ANGLE PROJECTION | | WORK INSTRUCTION | N/A |
| DRAWN BY | JsP | SCALE | NONE |
| DATE | 3-18-06 | PART NO. | CMSVC**Y |
| CHK'D | | DRAWING NO. | 02479-187 |
| MATERIAL: | | MODULE - ABS COUPLER - NICKEL PLATED | |

| REV | DATE | BY | CHK | DESCRIPTION | ECN | R | CUST | SUP | OTH |
|-----|---------|-----|-----|------------------------|-----------|---|------|-----|-----|
| R | 3-18-06 | JsP | | RELEASED TO PRODUCTION | 02479-187 | | | | |