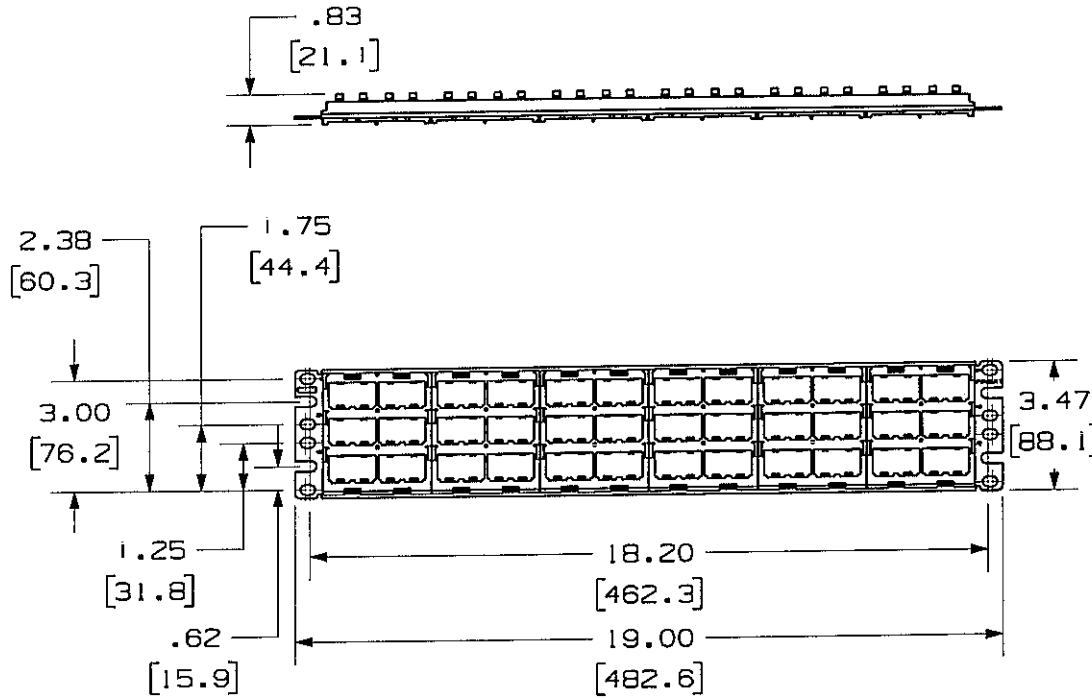
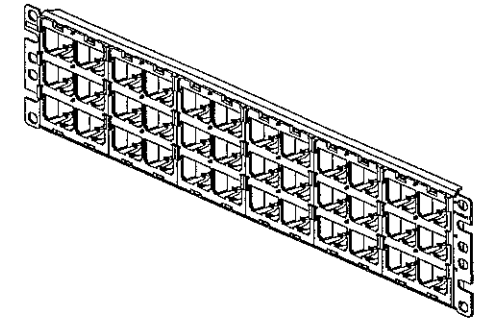


THIS COPY IS PROVIDED ON A RESTRICTED BASIS AND IS NOT TO BE USED IN ANY WAY DETRIMENTAL TO THE INTERESTS OF PANDUIT CORP.

PANDUIT P/N	WEIGHT
CPPL72WBLV	.59 LB/EACH PC (265.8 g/EACH PC)

NOTES:

- SEE CURRENT CATALOG FOR ADDITIONAL PART NUMBER SUFFIXES TO INDICATE COLOR AND OR PACKAGE QUANTITY.
- SEE CATALOG FOR COMPLETE LIST OF PARTS APPLICABLE FOR USE WITH THIS PART.
- DIMENSIONS IN PARENTHESES ARE IN METRIC.
- PART INCLUDES:
 - 1- METAL STAMPING
 - 6- 12 POSITION FACEPLATE WITH LABEL SLOTS
 - 18- LABEL COVER
 - 1- LABEL SHEET (INCLUDES 18 LABELS)
 - 1- SCREW KIT (INCLUDES FOUR #12-24 SCREWS)
 - 1- SCREW KIT (INCLUDES FOUR M6 SCREWS)
- LABELS ARE PRE-NUMBERED (1-72) WITH BLANK SIDE FOR CUSTOM LABELING.



NETWORK SYSTEMS
MAY 26 2006
ENGINEERING DEPT

MODEL FILENAME	M01181AD_CPP72_ASMBLY_01.PRT	SIZE	A
DRAWING FILENAME	M02479CZ_DC80_00A.PRT		
MINI-COM 72 PORT MODULAR FACEPLATE PATCH PANEL WITH LABEL CUSTOMER DRAWING			
PANDUIT CORP. TINLEY PARK, ILL 60477		I.I. NUMBER	N/A
ALL DIMENSIONS ARE GIVEN IN INCHES, UNLESS OTHERWISE SPECIFIED. DIMENSIONAL TOLERANCES ARE: (.X) ± (.XXX) ± .010(.3) (.XX) ± .03(.8) ANGLES ±		PRODUCT SPEC	N/A
THIRD ANGLE PROJECTION		WORK INSTRUCTION	N/A
DRAWN BY: JsP		SCALE	NONE
DATE: 4-19-06		PART NO.	CPPL72WBLV
CHECK'D: [Signature]		DRAWING NO.	02479-080

REV	DATE	BY	CHK	DESCRIPTION	ECN	R	CUST	SUP	OTH
R	4-19-06	JsP	[Signature]	RELEASED TO PRODUCTION	02479-080	[Signature]	[Signature]		